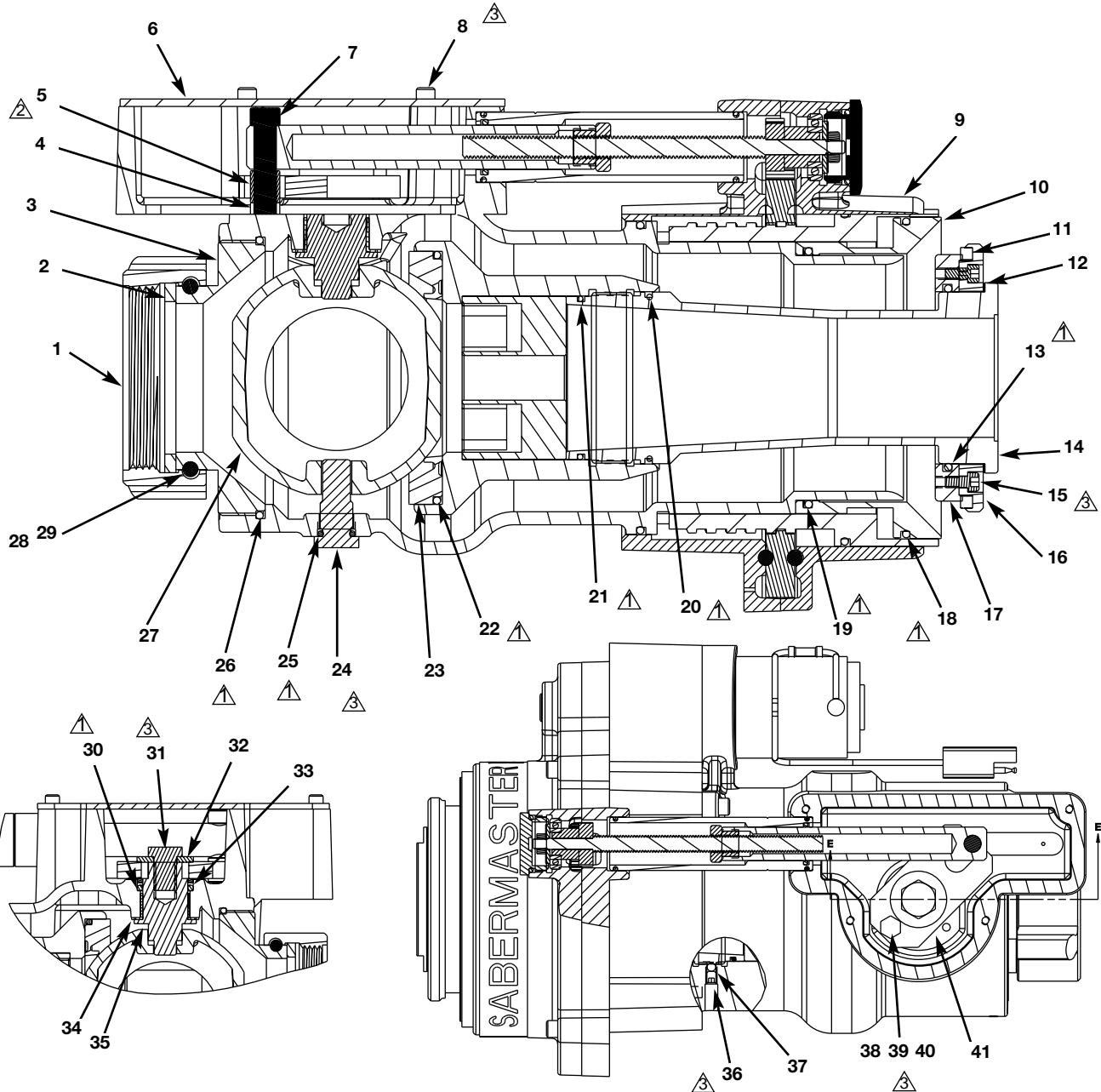


TECHNICAL SERVICE PARTS LIST

MAXIMUM OPERATING PRESSURE: 150 PSI
 FOG FLOW RATING: 1250 GPM AT 80 PSI STANDARD
 1000 GPM AT 80 PSI OPTIONAL



ASSEMBLY NOTES:

- ▲ Use Parker O-Ring lubricant or equivalent petroleum based lubricant
- ▲ Use Low-Temp Lubriplate
- ▲ Use Loctite 222 or PermaBond LM113

INSTALLATION INSTRUCTIONS

- The Style 1577 with a 3 1/2" swivel must be locked in place as follows:
1. Thread the nozzle onto the monitor outlet.
 2. Rotate the motor into required location.
 3. Tighten the socket head set screw in the side of the swivel using a 3/16" hex wrench.
 4. Plug in motor connector.

WARNING: The electrical control system must incorporate a current limiting circuitry set for a maximum of 10 amps for 12 volts (5 amps for 24 volts). Without circuitry set, motor may become inoperable if stalled during operation.

TECHNICAL SERVICE PARTS LIST

ITEM NO.	DESCRIPTION	PART NUMBER	QUANTITY
1	Swivel (2 1/2" NH)	101420	1
1	Swivle (3 1/2" NH)	109525	1
2	Swivel Gasket (2 1/2")	7-17-043	1
2	Swivel Gasket (3 1/2")	7-14-023	1
3	Swivel Adapter	119130	1
4	Guide Roller	7-18-212	1
5	Yoke Roller	7-58-254	1
6	Valve Cover (1000 GPM)	119475	1
6	Valve Cover (1250 GPM)	119137	1
7	Roller Pin	7-44-420	1
8	Button Head Screw	7-65-143	4
9	ID Band	7-04-733	1
10	Throat Sleeve	119122	1
11	Baffle Gasket	7-68-332	1
12	Shim	7-69-689	As Req.
13	O-Ring	7-57-065	1
14	Tip 1 15/16"	119477	1
14	Tip 2"	119123	1
15	Socket Head Cap Screw	7-63-038	1
16	Gasket Retainer	119124	1
17	Baffle Head (1000 GPM)	119476	1
17	Baffle Head (1250 GPM)	119125	1
18	O-Ring	7-57-392	1
19	O-Ring	7-57-337	1
20	O-Ring	7-57-024	1
21	O-Ring	7-57-239	1
22	O-Ring	7-57-073	1
23	Seat	119132	1
24	Threaded Trunnion	7-72-190	1
25	O-Ring	7-57-198	1
26	O-Ring	7-57-076	1
27	Ball	119129	1
28	Swivel Plug (2 1/2")	7-42-023	1
28	Swivel Plug (3 1/2")	7-65-186	1
29	Ball Bearing	*	38
30	O-Ring	7-57-010	1
31	Hex Head Cap Screw	7-61-065	1
32	Washer	7-84-120	1
33	Spacer	7-69-690	1
34	Bearing	7-35-058	1
35	Ball Trunnion	119131	1
36	Socket Head Set Screw	7-65-083	1
37	Nylon Ball	7-04-031	1
38	Detent Nut	7-35-063	1
39	Detent Spring	7-69-111	1
40	Detent Ball	7-04-018	1
41	Ball Yoke	119134	1
Not Shown	O-Ring for 3 1/2" Swivel	7-57-087	1

* Packet of 50 Ball Bearings P/N 109041

For repair of components not noted, the SaberMaster must be returned to Akron Brass. Contact Customer Service for return instructions at 800-228-1161.