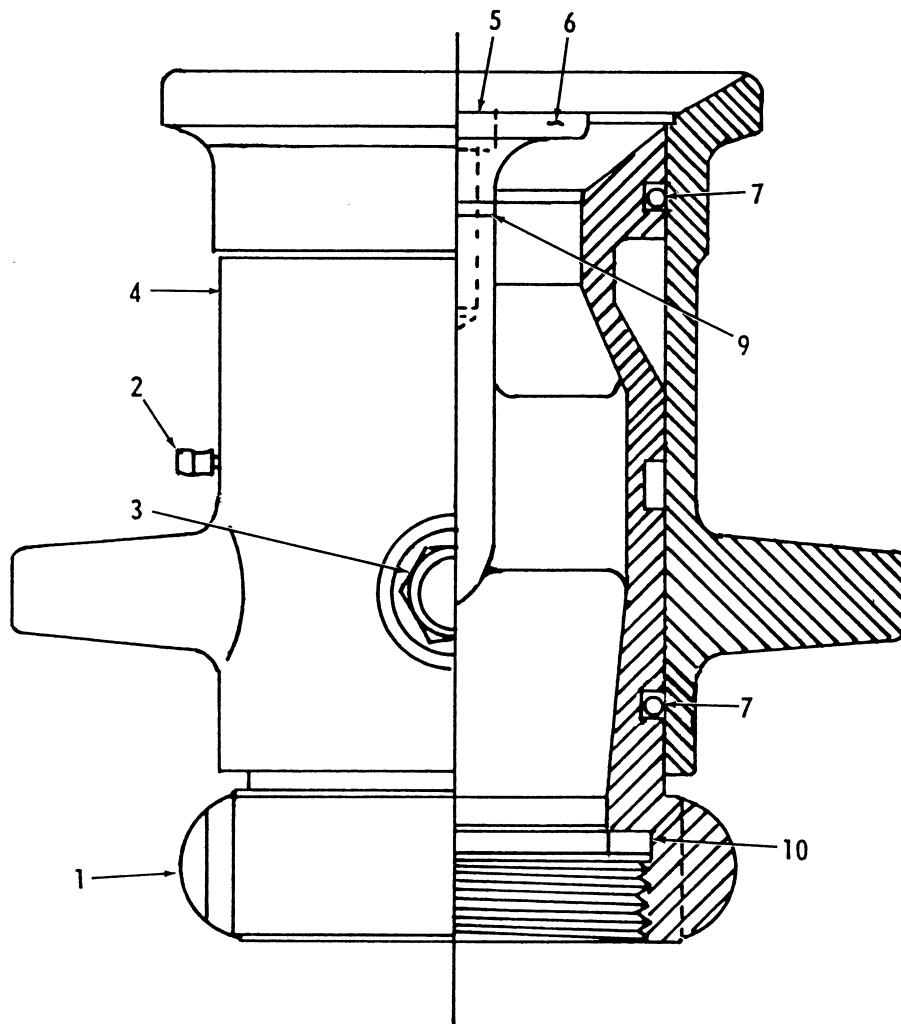


TECHNICAL SERVICE PARTS LIST





**STYLE 4450, 4451 and 4452
AquaStream™
TECHNICAL SERVICE PARTS LIST**

ITEM NO.	DESCRIPTION	PART NUMBER	QUANTITY		
			4450	4451	4452
1	Base - 2 1/2" NH*	107863	1	1	
1	Base - 2 1/2" NH*	107873			1
2	Grease Fitting	7-13-191	1	1	1
3	Detent Nut	7-35-037	1	1	1
4	Sleeve	104970	1		
4	Sleeve	104971		1	
4	Sleeve	107879			1
5	Screw	7-63-043	1	1	1
6	Baffle Head	104969	1	1	
6	Baffle Head	107878			1
7	O-Ring	7-57-278	2	2	2
8	700 GPM Spacer**	7-69-225	1	1	1
9	500 GPM Spacer	7-69-224	1	1	1
10	Gasket	7-17-043	1	1	1

*For other threads order by description and thread size (ODM and TPI) or by Thread Code.

**Not shown on drawing



ISO 9001 REGISTERED COMPANY

PHONE: 330.264.5678 or 800.228.1161 | FAX: 330.264.2944 or 800.531.7335 | www.akronbrass.com
Available in Canada through AKRON MANUFACTURING COMPANY
PHONE: 519.773.8431 | FAX: 519.773.3794

REVISED 1/99

WARRANTY AND DISCLAIMER: We warrant Akron Brass products for a period of five (5) years after purchase against defects in materials or workmanship. Akron Brass will repair or replace product which fails to satisfy this warranty. Repair or replacement shall be at the discretion of Akron Brass. Products must be promptly returned to Akron Brass for warranty service.
We will not be responsible for: wear and tear; any improper installation, use, maintenance or storage; negligence of the owner or user; repair or modification after delivery; damage; failure to follow our instructions or recommendations; or anything else beyond our control. WE MAKE NO WARRANTIES, EXPRESS OR IMPLIED, OTHER THAN THOSE INCLUDED IN THIS WARRANTY STATEMENT, AND WE DISCLAIM ANY IMPLIED WARRANTY OF MERCHANTABILITY OR FITNESS FOR ANY PARTICULAR PURPOSE. Further, we will not be responsible for any consequential, incidental or indirect damages (including, but not limited to, any loss of profits) from any cause whatsoever. No person has authority to change this warranty.

© Premier Farnell Corporation. 2000 All rights reserved. No portion of this can be reproduced without the express written consent of Premier Farnell Corporation.

A Premier Farnell Company