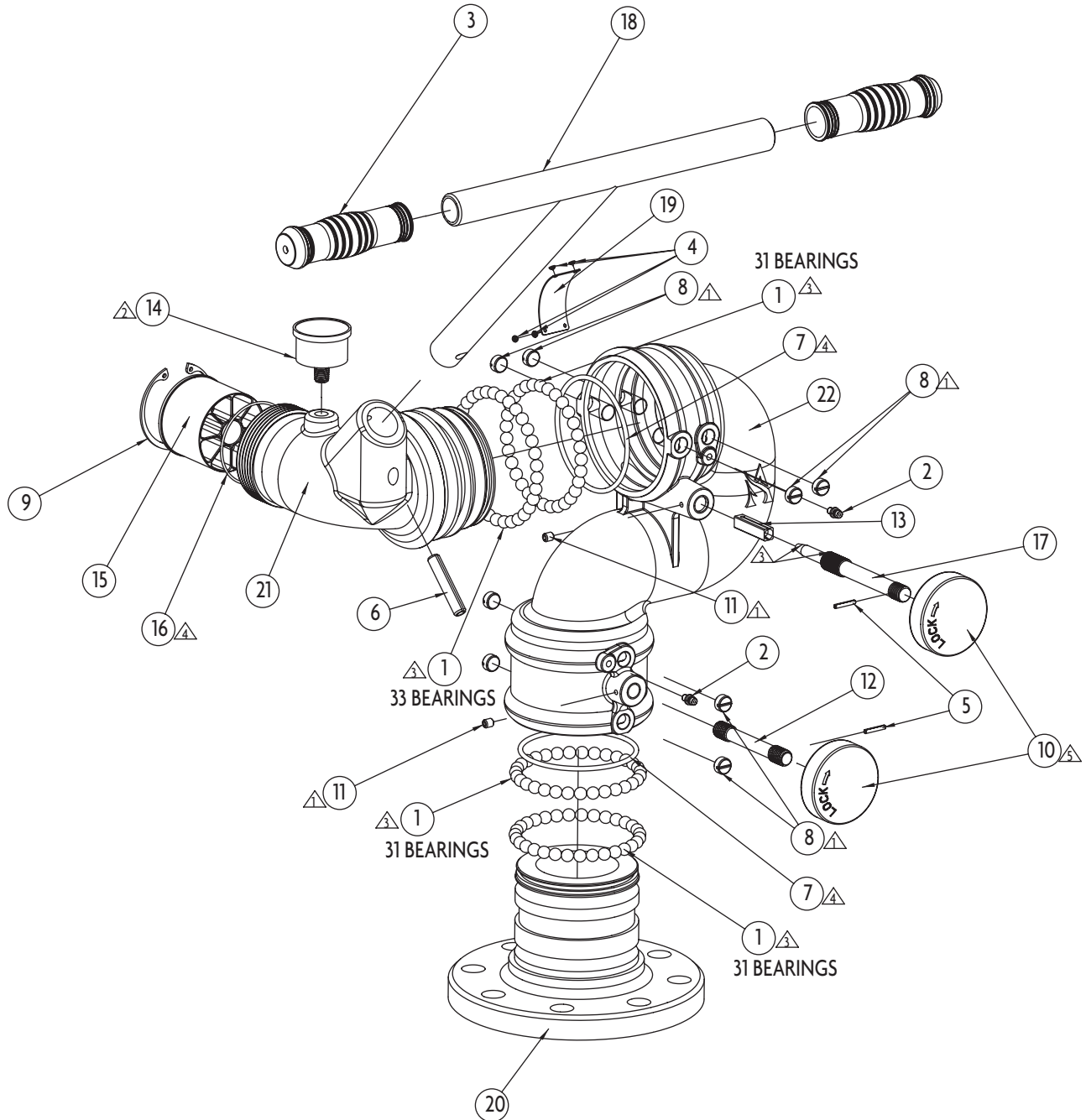


**TECHNICAL SERVICE PARTS**



- △ USE PERMABOND LM113 OR LOCTITE 222 AT ASSEMBLY
- △ USE LOCTITE LH-050 PIPE SEALANT AT ASSEMBLY
- △ USE LUBRIPLATE LOW-TEMP GREASE AT ASSEMBLY
- △ USE PARKER O-LUBE AT ASSEMBLY
- △ MATCH DRILL Ø 1/8 HOLE AT ASSEMBLY THRU KNOB (10) AND SHAFT (12 & 13)



# STYLE 3430 GLOBAL PLATFORM MANUAL MONITOR

| ITEM NO. | DESCRIPTION                               | PART NUMBER | QUANTITY |
|----------|---|-------------|----------|
| 001      | BALL BRASS 3/8" DIA                       | 704020      | 126      |
| 002      | FITTING GREASE 3/16 PRESSFIT ST STL       | 713191      | 2        |
| 003      | GRIP HANDLE FLEX GRIP 1" DB 14-15-16SEE N | 718071      | 2        |
| 004      | NAIL GRIP COPPER NICKEL                   | 736045      | 4        |
| 005      | ROLL PIN                                  | 744066      | 2        |
| 006      | ROLL PIN                                  | 744477      | 1        |
| 007      | O-RING 3 5/8" X 3 3/8" 2-237 BUNA N70     | 757081      | 2        |
| 008      | PLUG SWV CELCON OR DELRINI/2 -20 X 1/4"   | 742112      | 8        |
| 009      | SNAP RING                                 | 758304      | 1        |
| 010      | BRAKE KNOB                                | 109189      | 2        |
| 011      | SCREWSOCHD SETCUP PT 1/4 -20X1/4"SS       | 765002      | 2        |
| 012      | SHAFT ROTATION BRAKE STSTL                | 769892      | 1        |
| 013      | BRAKE SHOE                                | 769817      | 1        |
| 014      | PRESSURE GAUGE                            | 718134      | 1        |
| 015      | STREAM SHAPER                             | 119644      | 1        |
| 016      | O-RING 5-354 BUNA-N 2.471IDX.07WIDTH      | 757473      | 1        |
| 017      | BRAKE SHAFT                               | 769804      | 1        |
| 018      | TILLER BAR                                | 703880      | 1        |
| 019      | ID PLATE                                  | 742191      | 1        |
| 020      | INLET BASE                                | 122390      | 1        |
| 021      | OUTLET ELBOW                              | 122392      | 1        |
| 022      | GOOSENECK                                 | 122389      | 1        |



PHONE: 330.264.5678 or 800.228.1161 | FAX: 330.264.2944 or 800.531.7335 | [www.akronbrass.com](http://www.akronbrass.com)

REVISED: 10/10

WARRANTY AND DISCLAIMER: We warrant Akron Brass products for a period of five (5) years after purchase against defects in materials or workmanship. Akron Brass will repair or replace product which fails to satisfy this warranty. Repair or replacement shall be at the discretion of Akron Brass. Products must be promptly returned to Akron Brass for warranty service.

We will not be responsible for: wear and tear; any improper installation, use, maintenance or storage; negligence of the owner or user; repair or modification after delivery; damage; failure to follow our instructions or recommendations; or anything else beyond our control. WE MAKE NO WARRANTIES, EXPRESS OR IMPLIED, OTHER THAN THOSE INCLUDED IN THIS WARRANTY STATEMENT, AND WE DISCLAIM ANY IMPLIED WARRANTY OF MERCHANTABILITY OR FITNESS FOR ANY PARTICULAR PURPOSE. Further, we will not be responsible for any consequential, incidental or indirect damages (including, but not limited to, any loss of profits) from any cause whatsoever. No person has authority to change this warranty.

© Premier Farnell Corporation. 2010 All rights reserved. No portion of this can be reproduced without the express written consent of Premier Farnell Corporation.

**A Premier Farnell Company**