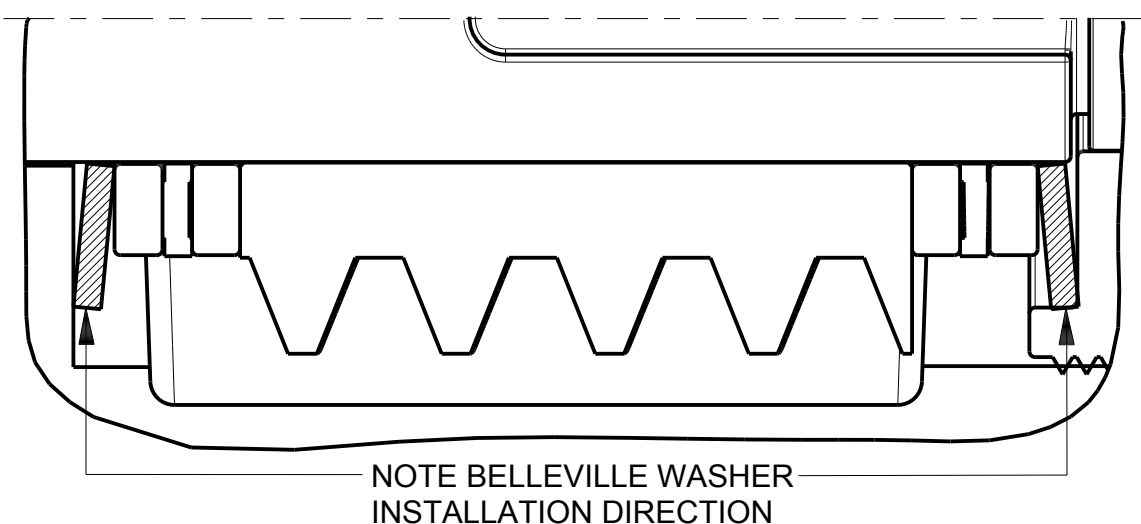


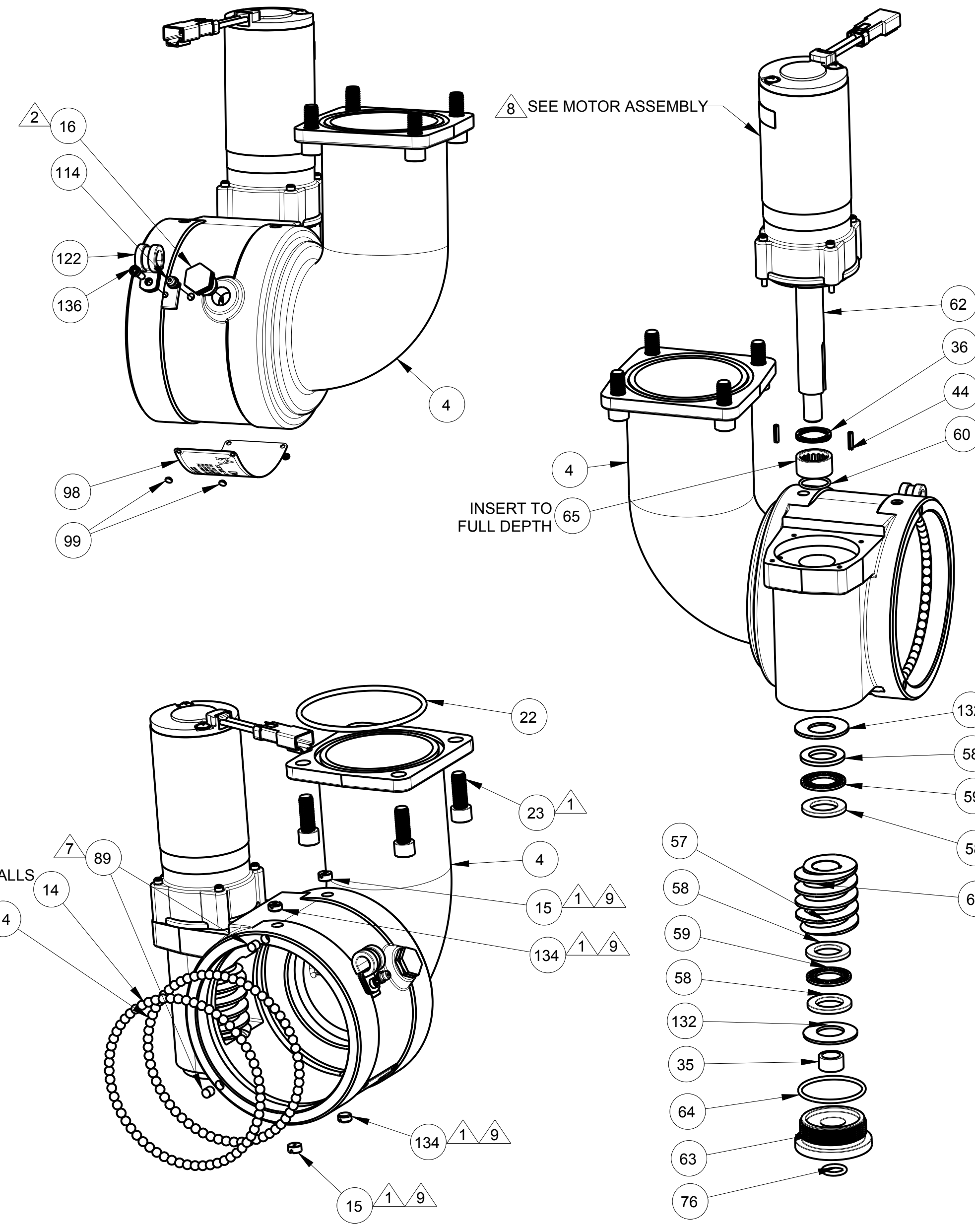
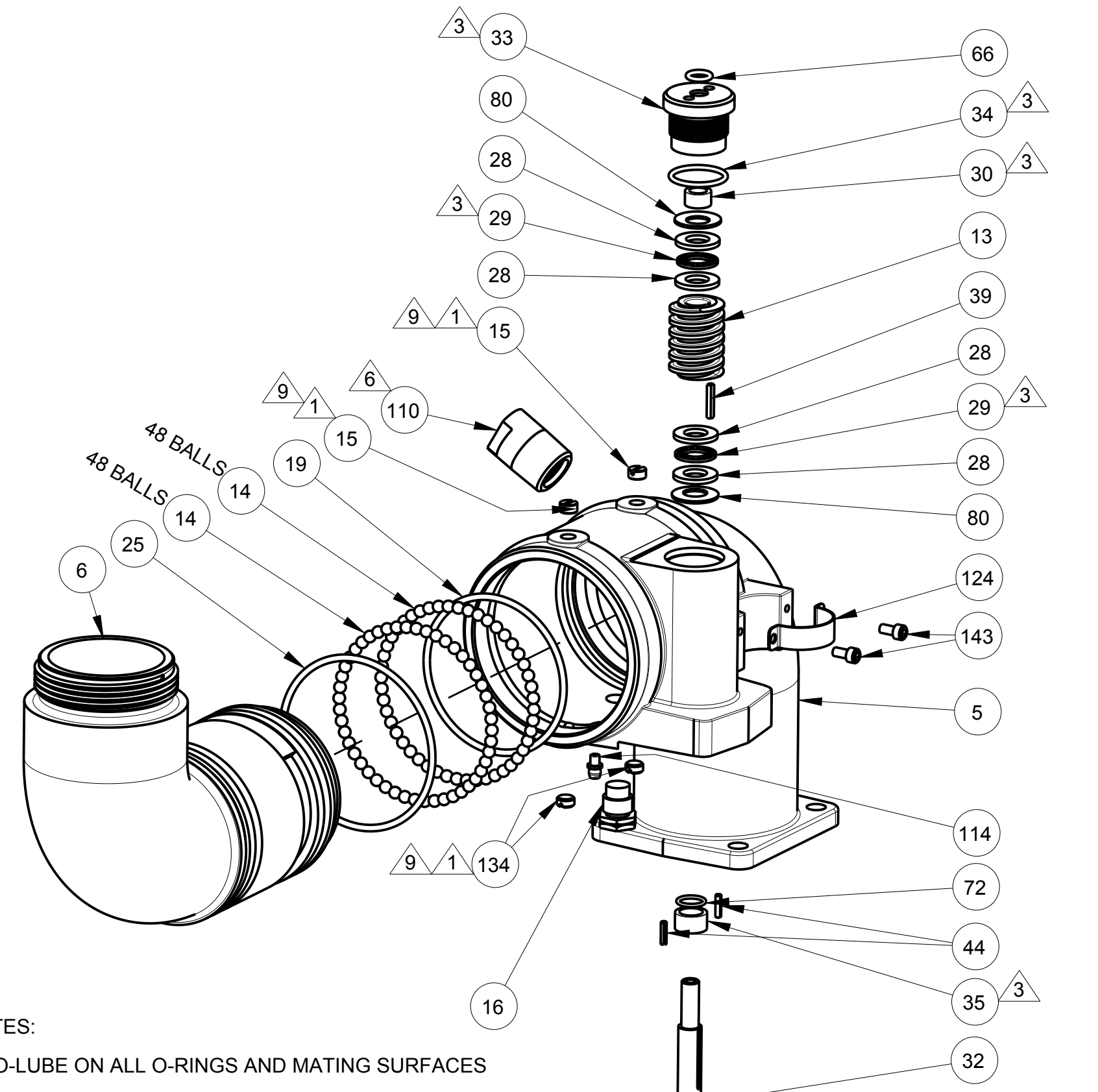
- ASSEMBLY NOTES:
- USE PARKER O-LUBE ON ALL O-RINGS AND MATING SURFACES UNLESS OTHERWISE NOTED.
 - 1 USE PERMABOND LM113 OR LOCTITE 222.
 - 2 USE PERMABOND HH120 OR LOCTITE 277.
 - 3 USE LOW-TEMP LUBRIPLATE.
 - 4 DIMPLE AT ASSEMBLY.
 - 5 THOROUGHLY COAT WITH NEVER SEEZ MARINERS CHOICE.
 - 6 USE PERMABOND LH050 OR LOCTITE 592.
 - 7 USE LOCTITE 290.
 - 8 GENERAL DEPICTION SEE BILL OF MATERIAL.
 - 9 ALIGN BALL IN HOLE. TIGHTEN PLUG UNTIL TOUCHES BALL. THEN BACK OUT PLUG 1/4-1/2 TURN.
 - 10 USE SIKAFLEX-1A SEALANT AT ASSEMBLY.
 - 12 INSTALL IN HOUSING (ITEM 2) BEFORE INSTALLING MOTOR ASSEMBLY.



PHONE: 330.264.5678 or 800.228.1161 | FAX: 330.264.2944 or 800.531.7335 | www.akronbrass.com

WARRANTY AND DISCLAIMER: We warrant Akron Brass products for a period of five (5) years* after purchase against defects in materials or workmanship. Akron Brass will repair or replace product which fails to satisfy this warranty. Repair or replacement shall be at the discretion of Akron Brass. Products must be promptly returned to Akron Brass for warranty service. We will not be responsible for: wear and tear; any improper installation, use, maintenance or storage; negligence of the owner or user; repair or modification after delivery; failure to follow our instructions or recommendations; or anything else beyond our control. WE MAKE NO WARRANTIES, EXPRESS OR IMPLIED, OTHER THAN THOSE INCLUDED IN THIS WARRANTY STATEMENT, AND WE DISCLAIM ANY IMPLIED WARRANTY OF MERCHANTABILITY OR FITNESS FOR ANY PARTICULAR PURPOSE. Further, we will not be responsible for any consequential, incidental or indirect damages (including, but not limited to, any loss of profits) from any cause whatsoever. No person has authority to change this warranty. *Unless otherwise provided herein. Akron Brass industrial electronic components & the Severe-Duty Monitor have a one (1) year warranty. Weldon products have a one (1) year warranty (excluding consumable components). Select Weldon LED products carry a five (5) year warranty. For Weldon product returns call 800-989-2718. Honda products have the manufacturers' warranty and Akron Brass disclaims any warranty in respect of those products.

Parts List Sheet:
 123264



- ASSEMBLY NOTES:**
 USE PARKER O-LUBE ON ALL O-RINGS AND MATING SURFACES UNLESS OTHERWISE NOTED.
- 1 USE PERMABOND LM113 OR LOCTITE 222.
 - 2 USE PERMABOND HH120 OR LOCTITE 277.
 - 3 USE LOW-TEMP LUBRIPLATE.
 - 4 DIMPLE AT ASSEMBLY.
 - 5 THOROUGHLY COAT WITH NEVER SEEZ MARINERS CHOICE.
 - 6 USE PERMABOND LH050 OR LOCTITE 592.
 - 7 USE LOCTITE 290.
 - 8 GENERAL DEPICTION SEE BILL OF MATERIAL.
 - 9 ALIGN BALL IN HOLE. TIGHTEN PLUG UNTIL TOUCHES BALL. THEN BACK OUT PLUG 1/4-1/2 TURN.
 - 10 USE SIKAFLEX-1A SEALANT AT ASSEMBLY.
 - 12 INSTALL IN HOUSING (ITEM 2) BEFORE INSTALLING MOTOR ASSEMBLY.

PHONE: 330.264.5678 or 800.228.1161 | FAX: 330.264.2944 or 800.531.7335 | www.akronbrass.com

WARRANTY AND DISCLAIMER: We warrant Akron Brass products for a period of five (5) years* after purchase against defects in materials or workmanship. Akron Brass will repair or replace product which fails to satisfy this warranty. Repair or replacement shall be at the discretion of Akron Brass. Products must be promptly returned to Akron Brass for warranty service. We will not be responsible for: wear and tear; any improper installation, use, maintenance or storage; negligence of the owner or user; repair or modification after delivery; failure to follow our instructions or recommendations; or anything else beyond our control. **WE MAKE NO WARRANTIES, EXPRESS OR IMPLIED, OTHER THAN THOSE INCLUDED IN THIS WARRANTY STATEMENT, AND WE DISCLAIM ANY IMPLIED WARRANTY OF MERCHANTABILITY OR FITNESS FOR ANY PARTICULAR PURPOSE.** Further, we will not be responsible for any consequential, incidental or indirect damages (including, but not limited to, any loss of profits) from any cause whatsoever. No person has authority to change this warranty. *Unless otherwise provided herein. Akron Brass industrial electronic components & the Severe-Duty Monitor have a one (1) year warranty. Weldon products have a one (1) year warranty (excluding consumable components). Select Weldon LED products carry a five (5) year warranty. For Weldon product returns call 800-989-2718. Honda products have the manufacturers' warranty and Akron Brass disclaims any warranty in respect of those products.

Parts List Sheet:

123264



TECHNICAL SERVICE PARTS
STYLE 3440
PRODUCT STANDARD DECKMASTER

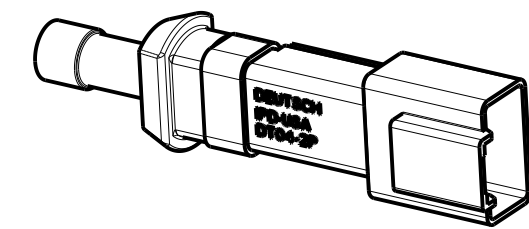
Chg.	Date
19	5-12
20	11-12

Find	Description	Item	QTY.
1	3"BASE	116459	1
2	ELBOW, INLET	116458	1
3	SLEEVE INNER	116491	1
4	ELBOW, LOWER MIDDLE	116464	1
5	ELBOW, UPPER MIDDLE	116461	1
6	ELBOW, OUTLET	116462	1
7	BALL, 3/8" BRASS	*	66
8	PLUG	742112	2
9	O-RING, 2-241	757210	1
10	O-RING, 2-238	757036	1
11	PLUG	744337	8
12	STOP	769498	2
13	GEAR, WORM	718273	2
14	BALL, 1/4" BRASS	**	218
15	PLUG - WITH HOLE	742023	4
16	STOP, VERTICAL	769596	2
17	O-RING, 2-247	757078	1
18	O-RING 2-240	757017	1
19	O-RING, 2-236	757035	2
20	PIN	741064	4
21	RETAINER	756111	4
22	O-RING, 2-237	757081	1
23	SCREW, SOCKET HEAD CAP 3/8 -16 x 1"	767047	4
25	O-RING, 2-239	757222	1
28	WASHER, THRUST	784121	4
29	BEARING, NEEDLE	703453	2
30	BEARING	704393	1
32	SHAFT, ROTATION	769697	1
33	CAP, BEARING	116465	1
34	O-RING, 2-121	757329	1
35	BEARING, NEEDLE ROLLER	704395	3
36	SPRING, SPIRAWAVE	769592	1
37	PIN, GROOVE	***	3
38	CARRIER, OUTPUT	***	3
39	KEY, SPECIAL	727044	1
40	GEAR, PLANET	***	18
41	PLATE, CARRIER	***	3
42	RIVET, SHORT	***	18
43	GEAR, INTERNAL ELEVATION	718164	3
44	PIN, ROLL	744288	6
45	O-RING, 2-036	757312	3
47	SCREW, SOCKET HEAD CAP 6-32 x 1-3/8"	767132	12
48	SCREW, SOCKET HEAD CAP W/PATCH 6-32 x 1/2"	765052	12
49	O-RING, 2-029	757056	3
50	HOUSING, GEARBOX	109320	3
51	PLATE, COVER	116471	1
52	MOTOR, 12V U2 DEUTSCH PLUG (SEE ILLUSTRATION THIS SHEET)	34911013	3
52	MOTOR, 24V U2 DEUTSCH PLUG (SEE ILLUSTRATION THIS SHEET)	34911007	3
52	MOTOR, 12V ITT PLUG (SEE ILLUSTRATION THIS SHEET)	35781082	3
52	MOTOR, 24V ITT PLUG (SEE ILLUSTRATION THIS SHEET)	35781101	3
57	GEAR, BOSTON WORM	784129	1
58	WASHER, THRUST	784130	4

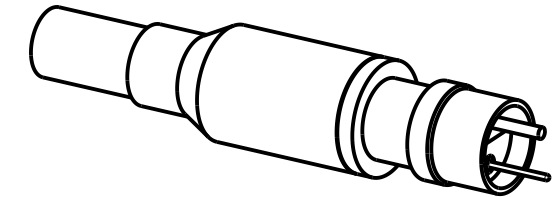
Find	Description	Item	QTY.
59	BEARING, ROLLER THRUST	703522	2
60	O-RING, 2-018	757042	1
61	KEY, SQUARE 3/16 x 3/4"LG	727046	1
62	SHAFT, VERTICAL	769937	1
63	CAP, BEARING	116493	1
64	O-RING, 2-131	757058	1
65	BEARING, NEEDLE	703523	1
66	O-RING, 2-110	757295	1
71	SHAFT, OUTPUT	769786	1
72	O-RING, 2-014	757041	2
73	KEY, WOODRUFF	727025	3
74	SPROCKET	769499	2
75	SPACER	769495	1
76	O-RING, 2-112	757313	2
77	CHAIN	35780001	1
79	SHAFT, ROTATION	769525	1
80	SPRING, BELLEVILLE	769276	4
81	SHIM	769494	2
82	BUSHING, ROTATION	703461	1
83	SCREW, SOCKET HEAD CAP LOCWELL 10-24 x 5/8"LG	765100	2
84	SCREW, SOCKET HEAD CAP 10-24 x 1-5/8"	763035	1
85	CLAMP, MAGNET	707398	3
86	SCREW, PHILLIPS PAN HEAD #8-32 x 1/4"	765208	5
87	RING MAGNET MOUNT HC SER .0728SF	116477	1
88	SCREW SOC HD CAP PATCH 10-24 X 3/8" SS	767029	1
89	MAGNET, RARE EARTH	731081	3
90	SWITCH, HAMLIN	#	2
91	RECEPTACLE, DEUTSCH	#	2
92	CONTACT PIN, DEUTSCH	#	4
93	WEDGE LOCK, DEUTSCH	#	2
95	MOUNTING CLIP, DEUTSCH	704589	2
98	TAG ID	773303	1
99	NAIL	736052	4
110	VALVE, DRAIN	34330009	1
114	FITTING, GREASE	713191	4
115	HANDLE, OVERRIDE	721291	1
116	CLAMP, CABLE	707189	2
118	CLIP, HAIRPIN COTTER	744339	1
120	HARNESS, WIRING U1	721338	1
120	HARNESS, WIRING U2	721545	1
121	SCREW, SOCKET HEAD CAP #10-24 x 2"	763077	2
122	CLAMP, CABLE	707367	1
124	CLAMP, STRAP	707396	1
130	PACKING LIST/INSTRUCTIONS	116488	1
132	SPRING, BELLEVILLE	769605	2
133	PLUG - WITH HOLE	742123	2
134	PLUG	744394	4
136	SCREW, SOCKET HEAD CAP NYLON PATCH #8-32 x 1/2"	765155	1
137	WASHER, BEARING	784114	2
138	WASHER, BEARING	784113	2

Find	Description	Item	QTY.
139	BEARING, THRUST ROLLER	704437	2
143	SCREW, SOCKET HEAD CAP #10-24 x 3/8"	765016	2
144	BEARING	704941	1
145	PLUG SWIVEL	742143	1

* Packet of 50 Ball Bearings - Pn. 109342
 ** Packet of 50 Ball Bearings - Pn. 109041
 *** For items 37,38,40,41,42, order repair kit 34400209
 # For items 90, 91, 92, 93 order repair kit 34400003



DEUTSCH CONNECTOR



ITT CONNECTOR

PHONE: 330.264.5678 or 800.228.1161 | FAX: 330.264.2944 or 800.531.7335 | www.akronbrass.com

WARRANTY AND DISCLAIMER: We warrant Akron Brass products for a period of five (5) years* after purchase against defects in materials or workmanship. Akron Brass will repair or replace product which fails to satisfy this warranty. Repair or replacement shall be at the discretion of Akron Brass. Products must be promptly returned to Akron Brass for warranty service. We will not be responsible for: wear and tear; any improper installation, use, maintenance or storage; negligence of the owner or user; repair or modification after delivery; failure to follow our instructions or recommendations; or anything else beyond our control. **WE MAKE NO WARRANTIES, EXPRESS OR IMPLIED, OTHER THAN THOSE INCLUDED IN THIS WARRANTY STATEMENT, AND WE DISCLAIM ANY IMPLIED WARRANTY OF MERCHANTABILITY OR FITNESS FOR ANY PARTICULAR PURPOSE.** Further, we will not be responsible for any consequential, incidental or indirect damages (including, but not limited to, any loss of profits) from any cause whatsoever. No person has authority to change this warranty. *Unless otherwise provided herein. Akron Brass industrial electronic components & the Severe-Duty Monitor have a one (1) year warranty. Weldon products have a one (1) year warranty (excluding consumable components). Select Weldon LED products carry a five (5) year warranty. For Weldon product returns call 800-989-2718. Honda products have the manufacturers' warranty and Akron Brass disclaims any warranty in respect of those products.

Parts List Sheet:

123264