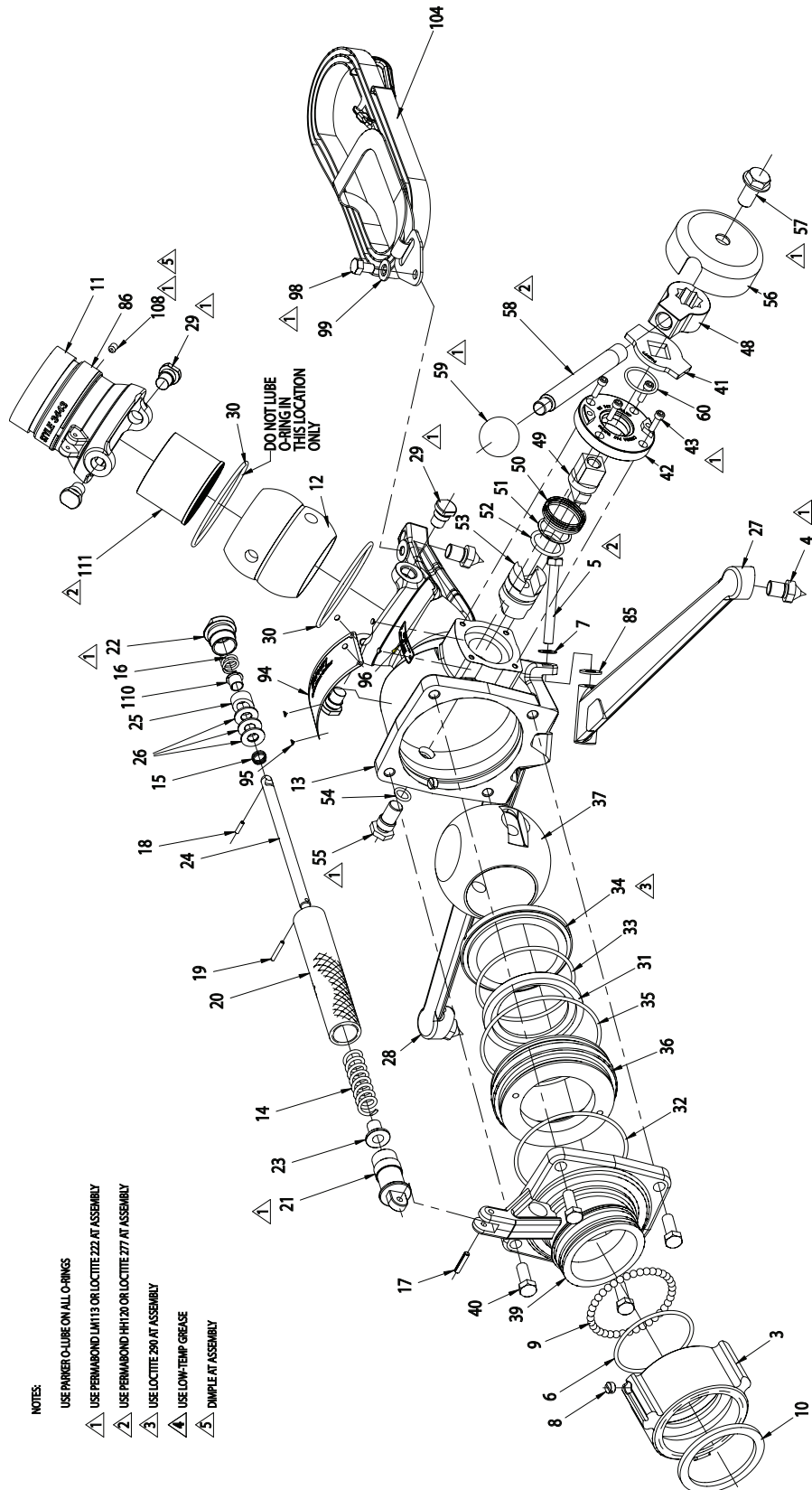


TECHNICAL SERVICE PARTS



NOTES:

USE PARBER O-LUBE ON ALL O-RINGS

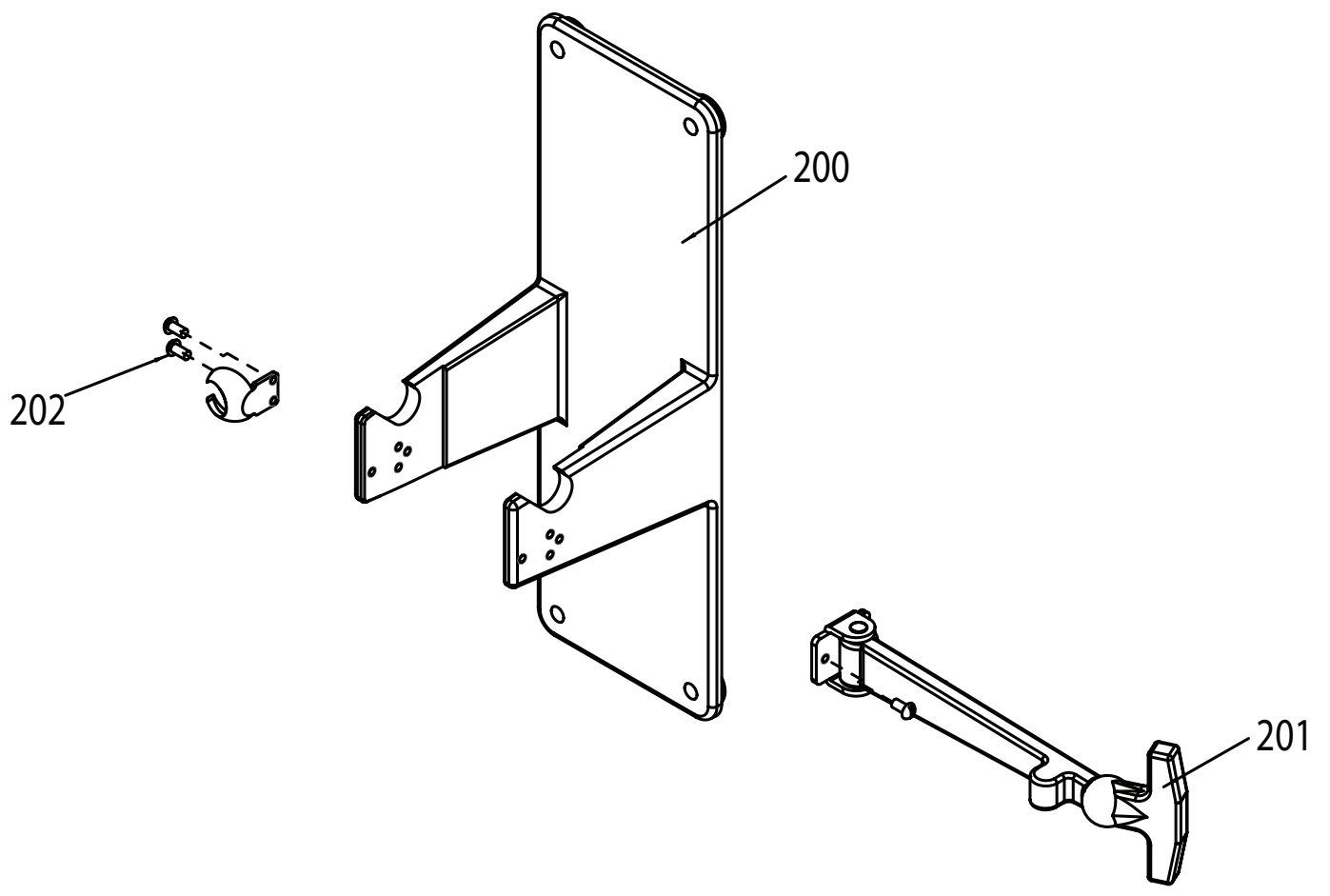
▲ USE PERMABOND LM113 OR LOCITITE 222 AT ASSEMBLY

▲ USE PERMABOND HH120 OR LOCITITE 277 AT ASSEMBLY

▲ USE LOCITITE 290 AT ASSEMBLY

▲ USE LOW-TEMP GREASE

▲ DIMPLE FIT ASSEMBLY





STYLE 3443
MERCURY™ QUICK ATTACK MONITOR
TECHNICAL SERVICE PARTS LIST

ITEM NO.	DESCRIPTION	PART NUMBER	QUANTITY	ITEM NO.	DESCRIPTION	PART NUMBER	QUANTITY
3	SWIVEL 2 1/2" NH	118873	1	49	HANDLE TRUNNION	102178	1
4	CARBIDE TIP SPIKES	*	3	50	TORQUE LOCK SQUARE SPRING	7-68-210	1
5	SCREW	7-65-220	2	51	RETAINING RING	7-58-154	1
6	O-RING	7-57-045	1	52	O-RING †	7-57-010	1
7	WASHER	7-84-143	2	53	BALL TRUNNION	102179	1
8	SWIVEL PLUG	7-42-023	1	54	O-RING †	7-57-198	1
9	BRASS BALL	**	38	55	THREADED TRUNNION	102177	1
10	GASKET	7-17-043	1	56	COVER HANDLE	109177	1
11	OUTLET	118874	1	57	HEX HEAD CAP SCREW	7-61-045	1
12	BALL OUTLET	118875	1	58	HANDLE ROD	109193	1
13	BODY	118876	1	59	BALL	7-03-080	1
14	SPRING	7-69-670	1	60	O-RING	7-57-284	1
15	LATCH SPRING	7-69-694	1	85	WASHER	7-84-145	2
16	WEDGE SPRING	7-69-693	1	86	ID BAND	7-04-710	1
17	ROLL PIN	7-44-088	1	94	ID WARNING PLATE	7-44-419	1
18	ROLL PIN	7-44-221	1	95	NAIL GRIP	7-36-052	6
19	ROLL PIN	7-44-288	1	96	OPEN/CLOSE TAG	7-73-340	1
20	HANDLE	118877	1	98	HEX HEAD CAP SCREW	7-61-082	1
21	END CLEVIS	118878	1	99	FLAT WASHER	7-84-093	1
22	SPRING HOLDER	118879	1	104	SAFETY STRAP	34430039	1
23	SPRING GUIDE	118884	1	105	BOLT PLATE	7-45-135	1
24	SHAFT	7-69-669	1	108	SCREW SOC HD SETCUP	7-65-002	1
25	LATCH WEDGE	7-84-144	1	110	BEARING	7-04-235	1
26	LATCH PLATE	7-45-138	3	111	STREAM SHAPER	119644	1
27	RIGHT LEG	118885	1	200	MOUNTING BRACKET	118881	1
28	LEFT LEG	118886	1	201	BRACKET LATCH ASSEMBLY	729407	1
29	TRUNNION	7-73-339	4	202	SCREW	761041	2
30	O-RING	7-57-356	2				
31	VALVE SEAT†	7-69-156	1				
32	O-RING†	7-57-017	1				
33	O-RING†	7-57-035	1				
34	RETAINING RING	102176	1				
35	O-RING†	7-57-073	1				
36	HOUSING SEAT	102174	1				
37	BALL†	7-03-429	1				
39	INLET	118880	1				
40	HEX HEAD CAP SCREW	7-61-016	4				
41	STOP PLATE	7-42-073	1				
42	RETAINING PLATE	7-42-089	1				
43	SOCKET HEAD CAP SCREW	7-65-028	4				
48	HANDLE HUB	7-21-278	1				

* PACKET OF 3 CARBIDE TIP SPIKES P/N 9443-0001

** PACKET OF 50 BALL BEARINGS P/N 109041

† FIELD SERVICE KIT #91280001



PHONE: 330.264.5678 or 800.228.1161 | FAX: 330.264.2944 or 800.531.7335 | www.akronbrass.com

REVISED: 6/09

WARRANTY AND DISCLAIMER: We warrant Akron Brass products for a period of five (5) years after purchase against defects in materials or workmanship. Akron Brass will repair or replace product which fails to satisfy this warranty. Repair or replacement shall be at the discretion of Akron Brass. Products must be promptly returned to Akron Brass for warranty service.

We will not be responsible for: wear and tear; any improper installation, use, maintenance or storage; negligence of the owner or user; repair or modification after delivery; damage; failure to follow our instructions or recommendations; or anything else beyond our control. WE MAKE NO WARRANTIES, EXPRESS OR IMPLIED, OTHER THAN THOSE INCLUDED IN THIS WARRANTY STATEMENT, AND WE DISCLAIM ANY IMPLIED WARRANTY OF MERCHANTABILITY OR FITNESS FOR ANY PARTICULAR PURPOSE. Further, we will not be responsible for any consequential, incidental or indirect damages (including, but not limited to, any loss of profits) from any cause whatsoever. No person has authority to change this warranty.

© Premier Farnell Corporation. 2000 All rights reserved. No portion of this can be reproduced without the express written consent of Premier Farnell Corporation.

A Premier Farnell Company