



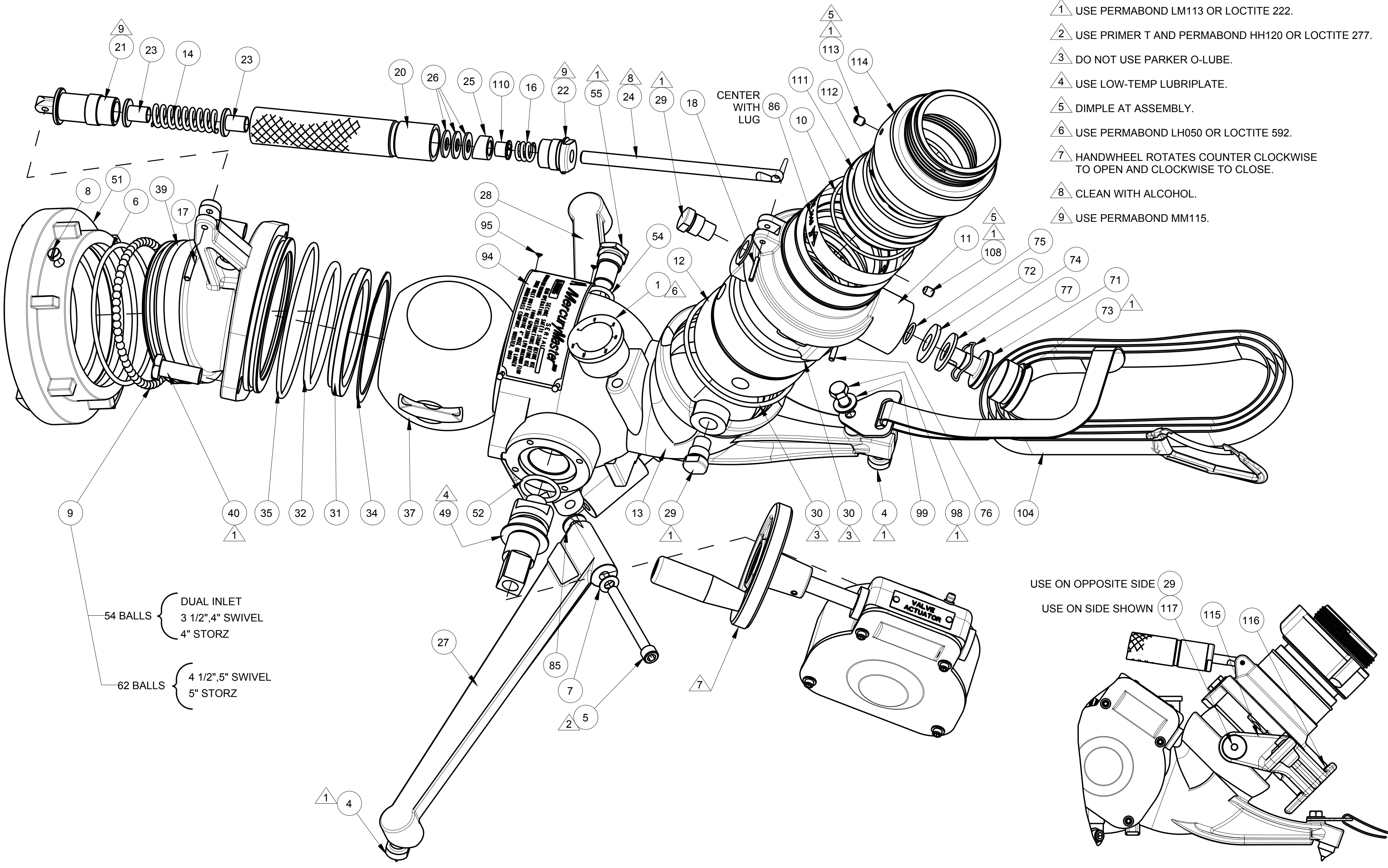
TECHNICAL SERVICE PARTS
 STYLE 3446
 PRODUCT MERCURY MASTER 1000

Chg.	Date
05	12-11
06	08-12

ASSEMBLY NOTES:
 USE PARKER O-LUBE ON ALL O-RINGS AND MATING SURFACES, UNLESS OTHERWISE NOTED.

ALL VIEWS SHOWN WITH SHUT-OFF BALL OPEN.

- 1 USE PERMABOND LM113 OR LOCTITE 222.
- 2 USE PRIMER T AND PERMABOND HH120 OR LOCTITE 277.
- 3 DO NOT USE PARKER O-LUBE.
- 4 USE LOW-TEMP LUBRIPLATE.
- 5 DIMPLE AT ASSEMBLY.
- 6 USE PERMABOND LH050 OR LOCTITE 592.
- 7 HANDWHEEL ROTATES COUNTER CLOCKWISE TO OPEN AND CLOCKWISE TO CLOSE.
- 8 CLEAN WITH ALCOHOL.
- 9 USE PERMABOND MM115.



PHONE: 330.264.5678 or 800.228.1161 | FAX: 330.264.2944 or 800.531.7335 | www.akronbrass.com

WARRANTY AND DISCLAIMER: We warrant Akron Brass products for a period of five (5) years* after purchase against defects in materials or workmanship. Akron Brass will repair or replace product which fails to satisfy this warranty. Repair or replacement shall be at the discretion of Akron Brass. Products must be promptly returned to Akron Brass for warranty service. We will not be responsible for: wear and tear; any improper installation, use, maintenance or storage; negligence of the owner or user; repair or modification after delivery; failure to follow our instructions or recommendations; or anything else beyond our control. WE MAKE NO WARRANTIES, EXPRESS OR IMPLIED, OTHER THAN THOSE INCLUDED IN THIS WARRANTY STATEMENT, AND WE DISCLAIM ANY IMPLIED WARRANTY OF MERCHANTABILITY OR FITNESS FOR ANY PARTICULAR PURPOSE. Further, we will not be responsible for any consequential, incidental or indirect damages (including, but not limited to, any loss of profits) from any cause whatsoever. No person has authority to change this warranty. *Unless otherwise provided herein. Akron Brass industrial electronic components & the Severe-Duty Monitor have a one (1) year warranty. Weldon products have a one (1) year warranty (excluding consumable components). Select Weldon LED products carry a five (5) year warranty. For Weldon product returns call 800-989-2718. Honda products have the manufacturers' warranty and Akron Brass disclaims any warranty in respect of those products.

Parts List Sheet:
 120349

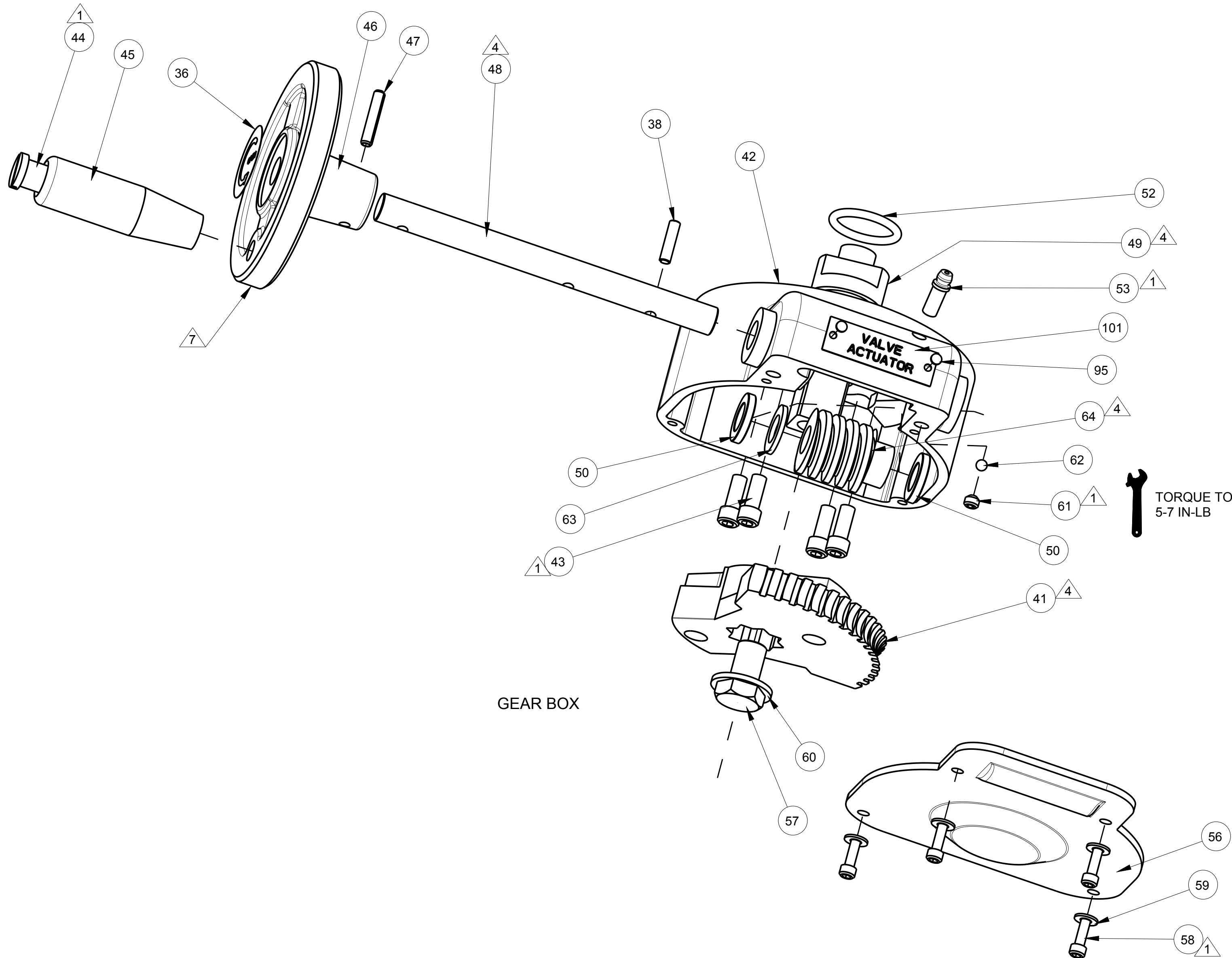
Chg.	Date
05	12-11
06	08-12

ASSEMBLY NOTES:

USE PARKER O-LUBE ON ALL O-RINGS AND MATING SURFACES, UNLESS OTHERWISE NOTED.

ALL VIEWS SHOWN WITH SHUT-OFF BALL OPEN.

- ① USE PERMABOND LM113 OR LOCTITE 222.
- ② USE PRIMER T AND PERMABOND HH120 OR LOCTITE 277.
- ③ DO NOT USE PARKER O-LUBE.
- ④ USE LOW-TEMP LUBRIPLATE.
- ⑤ DIMPLE AT ASSEMBLY.
- ⑥ USE PERMABOND LH050 OR LOCTITE 592.
- ⑦ HANDWHEEL ROTATES COUNTER CLOCKWISE TO OPEN AND CLOCKWISE TO CLOSE.
- ⑧ CLEAN WITH ALCOHOL.
- ⑨ USE PERMABOND MM115.



TORQUE TO
5-7 IN-LB

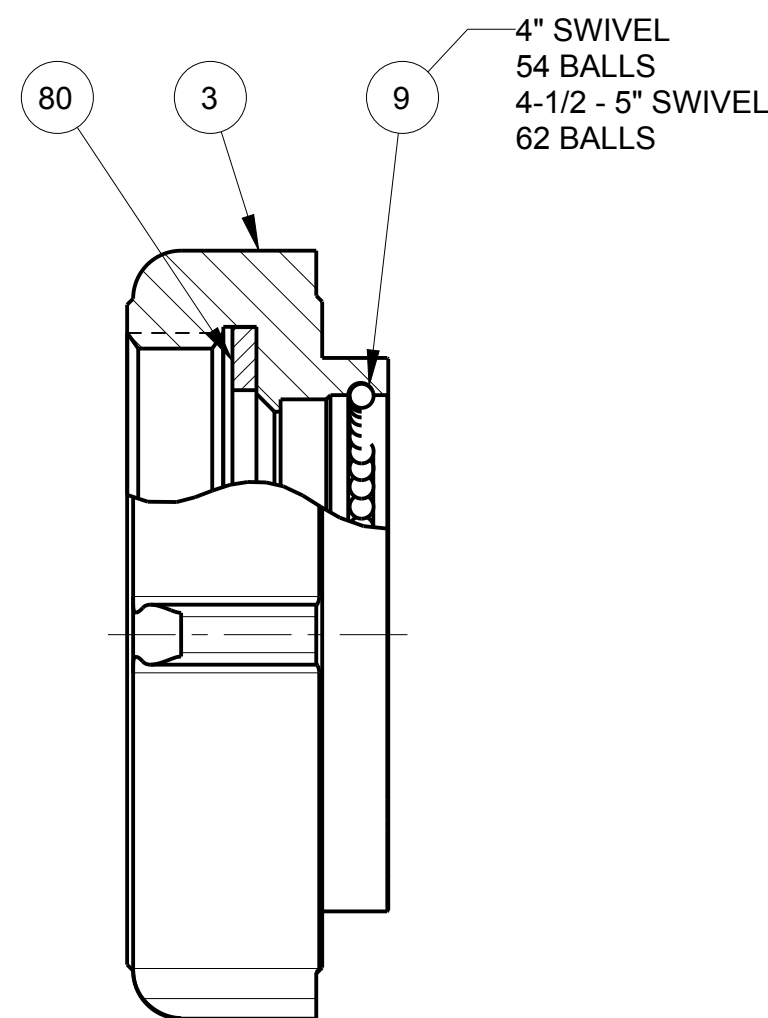
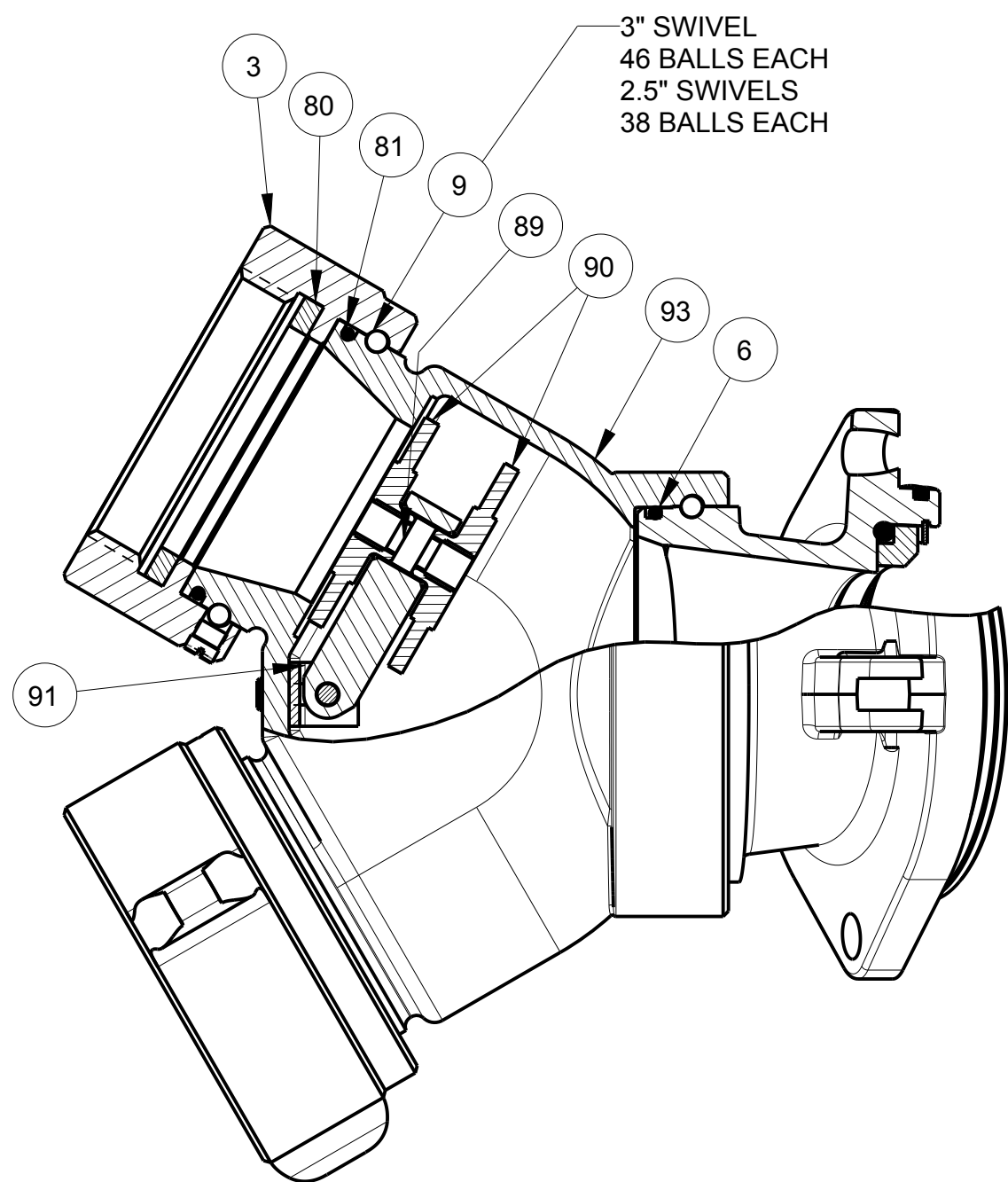
GEAR BOX

ASSEMBLY NOTES:

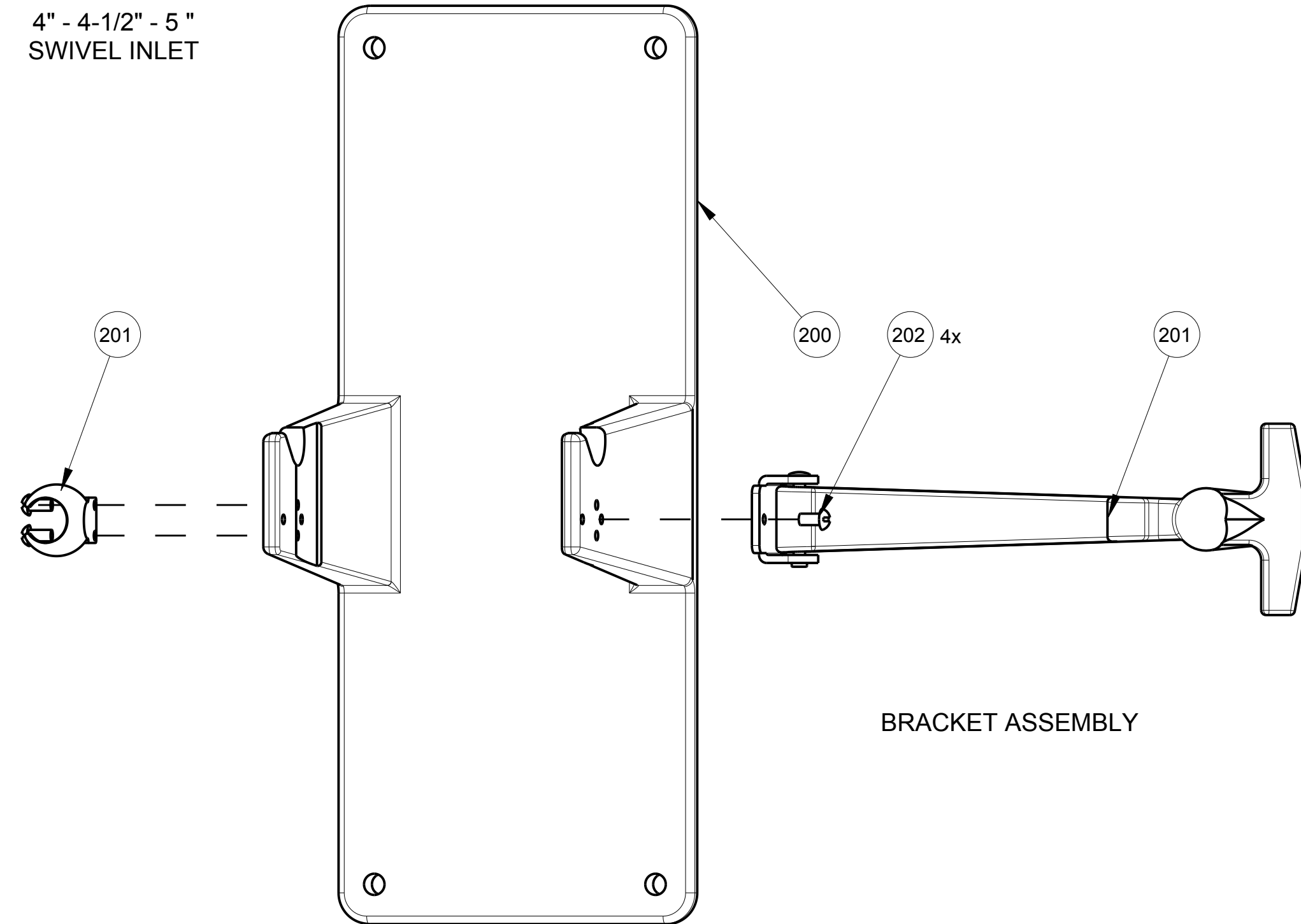
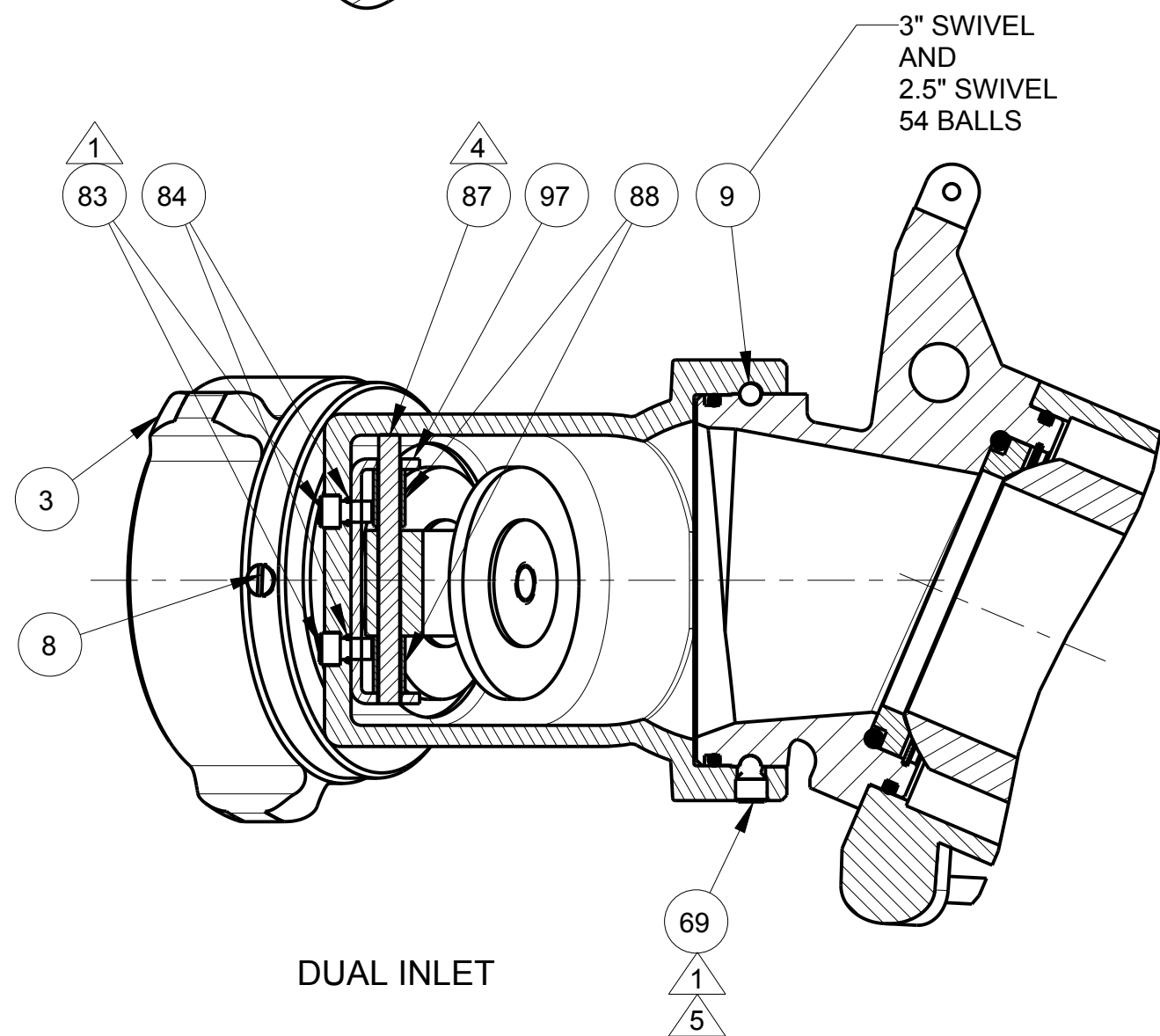
USE PARKER O-LUBE ON ALL O-RINGS AND MATING SURFACES, UNLESS OTHERWISE NOTED.

ALL VIEWS SHOWN WITH SHUT-OFF BALL OPEN.

- 1 USE PERMABOND LM113 OR LOCTITE 222.
- 2 USE PRIMER T AND PERMABOND HH120 OR LOCTITE 277.
- 3 DO NOT USE PARKER O-LUBE.
- 4 USE LOW-TEMP LUBRIPLATE.
- 5 DIMPLE AT ASSEMBLY.
- 6 USE PERMABOND LH050 OR LOCTITE 592.
- 7 HANDWHEEL ROTATES COUNTER CLOCKWISE TO OPEN AND CLOCKWISE TO CLOSE.
- 8 CLEAN WITH ALCOHOL.
- 9 USE PERMABOND MM115.



4" - 4-1/2" - 5" SWIVEL INLET



PHONE: 330.264.5678 or 800.228.1161 | FAX: 330.264.2944 or 800.531.7335 | www.akronbrass.com

WARRANTY AND DISCLAIMER: We warrant Akron Brass products for a period of five (5) years* after purchase against defects in materials or workmanship. Akron Brass will repair or replace product which fails to satisfy this warranty. Repair or replacement shall be at the discretion of Akron Brass. Products must be promptly returned to Akron Brass for warranty service. We will not be responsible for: wear and tear; any improper installation, use, maintenance or storage; negligence of the owner or user; repair or modification after delivery; failure to follow our instructions or recommendations; or anything else beyond our control. WE MAKE NO WARRANTIES, EXPRESS OR IMPLIED, OTHER THAN THOSE INCLUDED IN THIS WARRANTY STATEMENT, AND WE DISCLAIM ANY IMPLIED WARRANTY OF MERCHANTABILITY OR FITNESS FOR ANY PARTICULAR PURPOSE. Further, we will not be responsible for any consequential, incidental or indirect damages (including, but not limited to, any loss of profits) from any cause whatsoever. No person has authority to change this warranty. *Unless otherwise provided herein. Akron Brass industrial electronic components & the Severe-Duty Monitor have a one (1) year warranty. Weldon products have a one (1) year warranty (excluding consumable components). Select Weldon LED products carry a five (5) year warranty. For Weldon product returns call 800-989-2718. Honda products have the manufacturers' warranty and Akron Brass disclaims any warranty in respect of those products.

Parts List Sheet:

120349



TECHNICAL SERVICE PARTS

STYLE 3446

PRODUCT MERCURY MASTER 1000

Chg.	Date
05	12-11
06	08-12

FIND	DESCRIPTION	INLET SIZE				
		2.5	3	4	4.5	5
3	SWIVEL (ITEM No)	118873	120327	120325	120324	120326
9	1/4 BALL QTY'S (703051)*	SEE DRAWING VIEWS FOR QUANTITIES				
39	INLET ADAPTER (ITEM No.)	120300	120300	120300	120335	120335
51	STORZ FITTING	-	-	713205	-	713206
93	DUAL INLET (ITEM No)	120322	120321	-	-	-

Find	Description	Item	QTY
1	GAUGE PRESSURE 0-300 LBS	718184	1
4	SPIKE GROUND	94430001	1
5	SCREW HEX HEAD 5/16-18 X 3"	765247	2
6	O-RING 2-243	757337	1
7	WASHER BELLEVILLE	784143	2
8	PLUG SWIVEL 3/8 -24 X 3/16"	742023	1
10	O-RING 2-148	757332	1
11	OUTLET	120301	1
12	BALL OUTLET	120297	1
13	BODY	120303	1
14	SPRING	769670	1
15	SPRING LATCH	769694	1
16	SPRING WEDGE	769693	1
17	PIN ROLL3/16 X 7/8LG	744088	1
18	PIN ROLL 5/32 X 15/16LG	744430	1
20	HOUSING HANDLE	120534	1
21	END CLEVIS	122968	1
22	HOLDER SPRING	118879	1
23	GUIDE SPRING	118884	2
24	SHAFT	768370	1
25	WEDGE LATCH	784144	1
26	PLATE LATCH	745138	3
27	LEG RIGHT	120298	1
28	LEG LEFT	120299	1
29	TRUNNION	772226	3
30	O-RING 2-239	757367	2
31	SEAT VALVE ***	769768	1
32	O-RING 2-342 ***	757439	1
34	RING RETAINER	756121	1
35	O-RING 2-247 ***	757078	1
36	LABEL CCW "OPEN"	729586	1
37	BALL 3" ***	703428	1
38	PIN ROLL	744068	1
40	SCREW HEX HEAD 1/2-13 X 1-1/4"	765209	2
41	GEAR SECTOR	117972	1
42	HOUSING GEAR	120302	1
43	SCREW SOCKET HEAD CAP 1/4 -20 X 5/8"	765029	4
44	PIN HANDWHEEL HANDLE	741044	1
45	BUSHING 2.5"	101692	1
46	HANDWHEEL 4"	109281	1
47	PIN ROLL	744084	1
48	SHAFT HANDWHEEL	768374	1
49	TRUNNION ACTUATOR	120296	1
50	SPACER GEAR	768375	2
52	O-RING 2-214 ***	757010	1
53	FITTING GREASE 1/4-28	713034	1
54	O-RING 2-207 ***	757217	1
55	TRUNNION THREADED	772224	1
56	PLATE COVER	743003	1
57	SCREW HEX HEAD CAP 1/2 -13 X 3/4"	761065	1

Find	Description	Item	QTY
58	SCREW SOCKET HEAD CAP NYLON PATCH 8-32X1/2"	765155	4
59	WASHER #8	784123	4
60	WASHER FLAT	784068	1
61	SCREW ALLEN HEAD 1/4 -20 X 3/16"	765008	1
62	BALL 3/16 OD NYLON	704031	1
63	WASHER THRUST	784103	1
64	WORM GEAR	106611	1
71	TRUNNION BRAKE ROTATIONAL	772225	1
72	SPACER	769765	1
73	CAP ROTATIONAL	120295	1
74	SPACER ROTATIONAL	120293	1
75	O-RING 2-015	757112	1
76	PIN FRICTION BRAKE	744436	1
77	SPRING	768373	1
80	2.5" GASKET	717043	2
80	3" GASKET	714022	2
80	4" GASKET	714024	1
80	4.5" GASKET	714025	1
80	5" GASKET	714026	1
81	O-RING 2-237	757081	2
81	O-RING 2-232	757045	2
83	SCREW SOCKET HEAD CAP 1/4 -20 X 3/8"	766043	2
84	O-RING 2-008	757084	2
85	WASHER GLASS FILLED DELRIN	784145	2
86	BAND ID	703650	1
87	PIN CLAPPER AXIS	120450	1
88	SPACER CLAPPER	120345	2
89	SCREW CLAPPER	761097	1
90	DISC VALVE	120318	2
91	ARM CLAPPER	120320	1
94	PLATE ID	745166	1
95	NAIL GRIP	736052	8
97	BRACKET CLAPPER VALVE	101957	1
98	SCREW HEX HEAD CAP5/16-18 X 1/2"	761082	1
99	WASHER FLAT 5/16	784093	1
101	TAG VALVE ACTUATOR	773375	1
104	STRAP ASSEMBLY WITH BOLT PLATE & HOOK	34430039	1
108	SCREW SOCKET HEAD CUP POINT SET 1/4 -20 X 1/4"	765002	1
110	BEARING NYLINER 3/8"	704235	1
111	OUTLET WITH SHAPER	120294	1
112	GASKET ADAPTER	**	1
113	SCREW SOCKET HEAD CUP POINT SET 1/4 -20 X 1/4"	765002	1
114	ADAPTER SPECIAL THREAD	**	1
115	BRACKET	122636	1
116	BEARING	703929	1
117	TRUNNION	772259	1
200	BRACKET MOUNTING	120378	1
201	BRACKET LATCH ASSEMBLY	729407	1
202	SCREW ROUND HEAD SLOTTED #10-24 X 3/8"	761041	1

* PACKET OF 50 BALL BEARINGS Pn 123074
 ** CONTACT CUSTOMER SERVICE
 *** INCLUDED IN FIELD SERVICE KIT Pn 91310001

PHONE: 330.264.5678 or 800.228.1161 | FAX: 330.264.2944 or 800.531.7335 | www.akronbrass.com

Parts List Sheet:

120349

WARRANTY AND DISCLAIMER: We warrant Akron Brass products for a period of five (5) years* after purchase against defects in materials or workmanship. Akron Brass will repair or replace product which fails to satisfy this warranty. Repair or replacement shall be at the discretion of Akron Brass. Products must be promptly returned to Akron Brass for warranty service. We will not be responsible for: wear and tear; any improper installation, use, maintenance or storage; negligence of the owner or user; repair or modification after delivery; failure to follow our instructions or recommendations; or anything else beyond our control. WE MAKE NO WARRANTIES, EXPRESS OR IMPLIED, OTHER THAN THOSE INCLUDED IN THIS WARRANTY STATEMENT, AND WE DISCLAIM ANY IMPLIED WARRANTY OF MERCHANTABILITY OR FITNESS FOR ANY PARTICULAR PURPOSE. Further, we will not be responsible for any consequential, incidental or indirect damages (including, but not limited to, any loss of profits) from any cause whatsoever. No person has authority to change this warranty. *Unless otherwise provided herein. Akron Brass industrial electronic components & the Severe-Duty Monitor have a one (1) year warranty. Weldon products have a one (1) year warranty (excluding consumable components). Select Weldon LED products carry a five (5) year warranty. For Weldon product returns call 800-989-2718. Honda products have the manufacturers' warranty and Akron Brass disclaims any warranty in respect of those products.