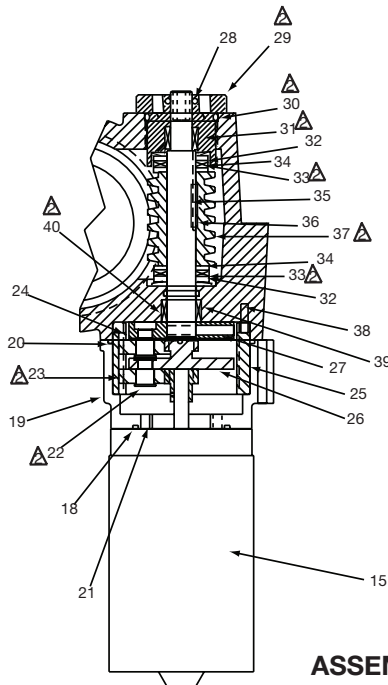
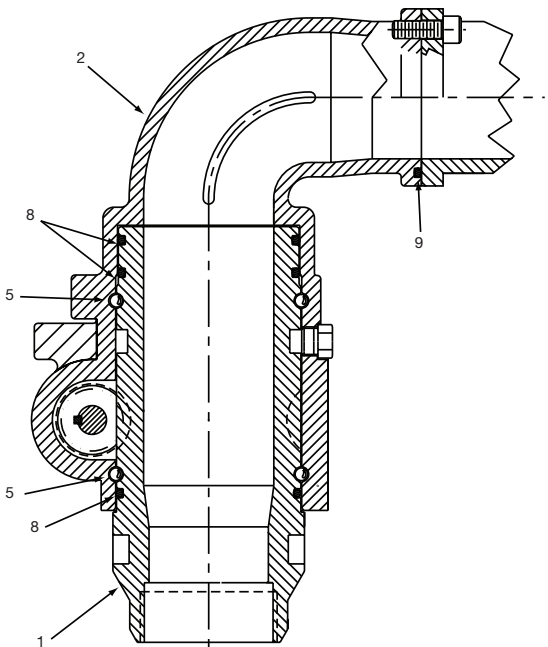
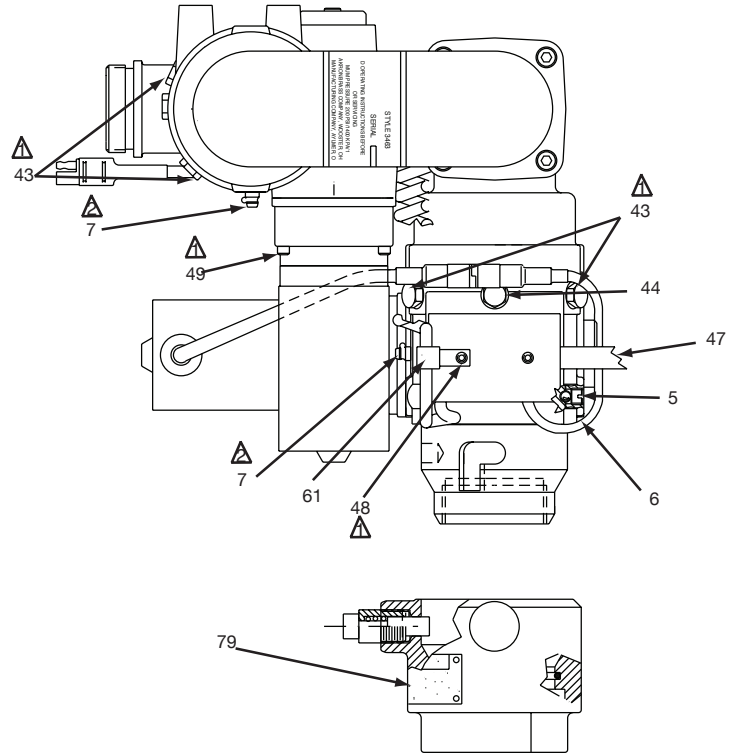
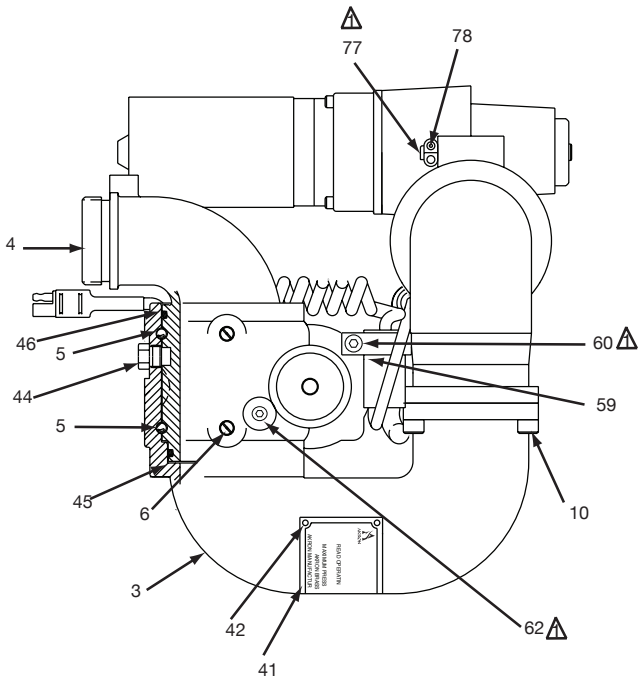



**TECHNICAL SERVICE PARTS**



**ASSEMBLY NOTES**

 Use Perma-Bond LM113 or Loctite 222

 Use Lubriplate Low-Temp Grease



**STYLE 3463  
FIREFOX™ MONITOR  
TECHNICAL SERVICE PARTS LIST**

ITEM NO.	DESCRIPTION	PART NUMBER	QUANTITY
1	2" Base	117898	1
1	2 1/2" Base	118124	1
2	Inlet Elbow	118207	1
3	Gooseneck	118208	1
4	Outlet 1-1/2" Elbow	118209	1
4	Outlet 2-1/2" Elbow	118948	1
5*	Ball Bearing	*	148
6	Swivel Plug	742023	8
7	Grease Fitting	713191	2
8	O-Ring	757065	3
9	O-Ring	757110	1
10	Socket Head Cap Screw	767048	4
15	Motor 12v/24v	3578-0011/ 3578-0095	2
18	O-Ring	757056	2
19	Housing Gearbox	109320	2
20	O-Ring	757312	2
21	Socket Head Cap Screw	765052	8
22	Rivet	754052	12
23	Spur Gear	718165	12
24	Carrier	707325	2
25	BGear Internal Elevation	718164	2
26	Plate Carrier	742119	2
27	Pin Groove	741056	2
28	O-Ring	757295	2
29	Cap Bearing Elevation	116465	2
30	O-Ring	757329	2
31	Bearing	704393	2
32	Spring	769276	4
33	Bearing Thrust Roller	703453	4

ITEM NO.	DESCRIPTION	PART NUMBER	QUANTITY
34	Thrust Washer	784121	8
35	Shaft	769597	2
36	Key	727044	2
37	Worm Gear	718166	2
38	Roll Pin	744288	4
39	O-Ring	757041	2
40	Bearing Roller Needle	704395	2
41	ID Plate	745125	1
42	Nail Grip	736045	4
43	Stop	769498	4
44	Plug	744337	2
45	O-Ring	757205	1
46	O-Ring	757126	1
47	Wiring Harness	721440	1
47	Wiring Harness for Stow	721361	1
48	Socket Head Cap Screw	763077	2
49	Socket Head Cap Screw	767132	8
59	Cable Clamp	707251	1
60	Button Head Screw	765143	1
61	Cable Clamp	707188	1
62	Socket Head Set Screw	765071	3
77	Pan Head Screw	767147	1
78	Clip	707219	1
79	Quick Disconnect	3463-0001	1
201	Spacer Plate (for 2-1/2" outlet)	118949	1
203	Socket Head Cap Screw (for 2-1/2" outlet)	765222	4
Not Shown	Limit Switches for Stow	3463-0067	1
Not Shown	12/24V PC Board	3463-0034	1

\* Packet of 50 Ball Bearings - P/N 109041



PHONE: 330.264.5678 or 800.228.1161 | FAX: 330.264.2944 or 800.531.7335 | [www.akronbrass.com](http://www.akronbrass.com)

REVISED: 4/08

WARRANTY AND DISCLAIMER: We warrant Akron Brass products for a period of five (5) years after purchase against defects in materials or workmanship. Akron Brass will repair or replace product which fails to satisfy this warranty. Repair or replacement shall be at the discretion of Akron Brass. Products must be promptly returned to Akron Brass for warranty service.

We will not be responsible for: wear and tear; any improper installation, use, maintenance or storage; negligence of the owner or user; repair or modification after delivery; damage, failure to follow our instructions or recommendations; or anything else beyond our control. WE MAKE NO WARRANTIES, EXPRESS OR IMPLIED, OTHER THAN THOSE INCLUDED IN THIS WARRANTY STATEMENT, AND WE DISCLAIM ANY IMPLIED WARRANTY OF MERCHANTABILITY OR FITNESS FOR ANY PARTICULAR PURPOSE. Further, we will not be responsible for any consequential, incidental or indirect damages (including, but not limited to, any loss of profits) from any cause whatsoever. No person has authority to change this warranty.

© Premier Farnell Corporation. 2000 All rights reserved. No portion of this can be reproduced without the express written consent of Premier Farnell Corporation.

**A Premier Farnell Company**