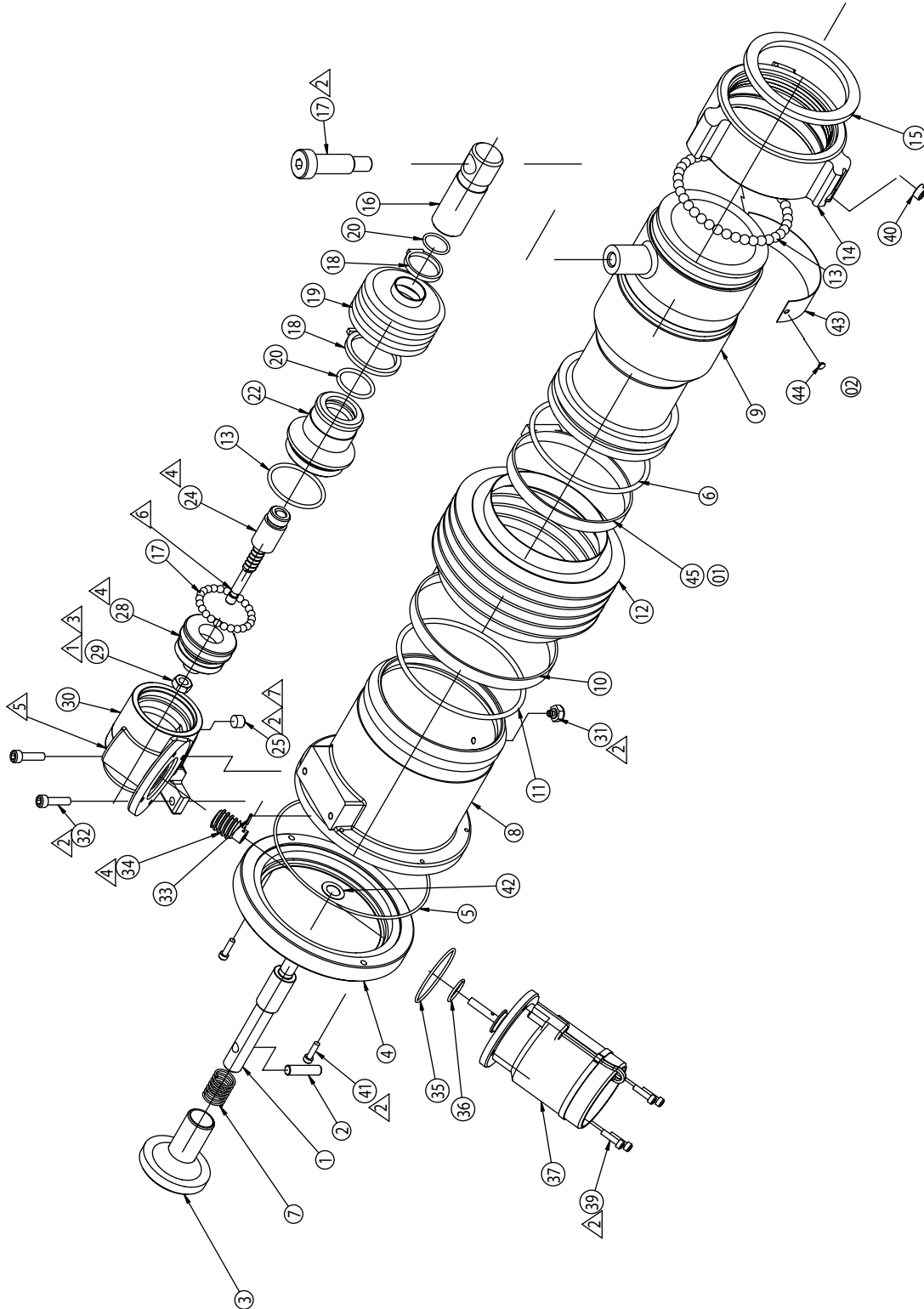


TECHNICAL SERVICE PARTS





**STYLE 3297
ELECTRIC INDUSTRIAL
FIREFOX NOZZLE - 24V/12V**

ITEM NO.	DESCRIPTION	PART NUMBER	QTY 24VDC	QTY 12VDC
1	STEM BAFFLE ST STL FFOX NOZ 3293	768318	1	1
002	PIN GROOVE 1/4 "X 1"TYPE E 18-8 ST STL	744273	1	1
003	BAFFLE HD BRONZE ETCH 125-350GPM	121056	1	1
004	RING DSCH MCH COMP BRONZE	756164	1	1
005	O-RING 2-046 BUNA-N 70 DURO	757374	1	1
006	O-RING 3 3/8"X 3 1/8"2-235 BUNA N70	757046	1	1
007	SPRING LEE LC-045H-5 ST STL 3293	768319	1	1
008	SLEEVE PATT MCH BRASS FF NZ	121583	1	1
009	BODY NOZ MCH IND FF NZ CS	121581	1	1
010	CLAMP HOSE, WRM DR 4-1/4DIA STSTL 54155K	707572	1	1
011	O-RING 2-237 CARBOXILATED N1090-85	757445	1	1
012	BELLOWS 3 7/8"X3 1/4" BLK URETHANE 3294	703717	1	1
013	BALL BRASS 1/4"OD (+/- .001 TOLERANCE)se	703017	38	38
014	SWVL 3RL 2.5"NH WB	101325	1	1
015	GSKT N674-70 EQ3-3/16X2-9/16X3/16	717043	1	1
016	ACTUATOR PISTON MCH IND FF NOZ	121580	1	1
017	SCREW SHLDR 1/2 DIA X 1-1/4" LG ST STL	767158	1	1
018	WRAP TY BLACK 8" NEWARK #46N2674	785024	2	2
019	BELLOWS ACTUATOR BLK URETHANE COMP	704960	1	1
020	O-RING 1 1/16 X 55/64"2-118 BUNA N70	757293	1	1
021	O-RING 3/4"X 5/8"2-016 BUNA N70	757055	1	1
022	TUBE GUIDE BRONZE MCH 4462	772235	1	1
023	O-RING 1 5/8"X 1 7/16"2-127 N-674-7 BU	757048	1	1
024	SCREW FREEWHEELING BALL ASSY 3293FIREFOX	767148	1	1
025	SCREW SOCHD FLAT POINT5/16-24-X1/4 18-8	765134	1	1

ITEM NO.	DESCRIPTION	PART NUMBER	QTY 24VDC	QTY 12VDC
027	BALL ST STL 3/16"TYPE 302 GRADE 200 USA	704018	24	24
028	GEAR BALLSCREW BRONZE 2198 NOZ	718191	1	1
029	NUT HEX 303-304 ST STL 1/4-20	734061	1	1
030	HOUSING ACTUATOR BRASS MCH SERV	121372	1	1
031	VENT BREATHER ALLIED-WITAN#F08 10-32 THD	779078	1	1
032	SCREW SOC HD CAP 10-24 X 5/8"ST STL	765028	2	2
033	PIN ROLL ST STL .0625 X .375 LG	744341	1	1
034	WORM PATT ACTUATOR 5078	785021	1	1
035	O-RING 1 5/8"X 1 1/2"2-029 BUNA N70	757056	1	1
036	O-RING 11/16"X 9/16"2-015	757112	1	1
037	MOTOR W/CONN S/A 24V POTTED 4462-4471	44710007	1	-
037	MOTOR W/CONN S/A 12V POTTED 4462-4471	44710008	-	1
039	SCREW SOC HD CAP 6-32 X 1/2" ST STL	765150	6	6
040	PLUG SWVL CELCON 3/8 -24 X 3/16"	742023	1	1
041	SCREW SOC HD CAP 6-32 X 1/2" ST STL	765150	2	2
042	SHIM .010 X 3/8 X 5/8 PLASTIC BROWN	768219	1	1
043	PLATE ID 1/64THK STSTL IND FF NOZ	744456	1	1
044	NAIL GRIP AMTAK FAST CAT # 3326 3/16 DIA	736052	2	2
045	CLAMP HOSE WRM DR 3-3/4"DIA SS54155K25	707573	1	1



PHONE: 330.264.5678 or 800.228.1161 | FAX: 330.264.2944 or 800.531.7335 | www.akronbrass.com

REVISED: 05/10

WARRANTY AND DISCLAIMER: We warrant Akron Brass products for a period of five (5) years after purchase against defects in materials or workmanship. Akron Brass will repair or replace product which fails to satisfy this warranty. Repair or replacement shall be at the discretion of Akron Brass. Products must be promptly returned to Akron Brass for warranty service.

We will not be responsible for: wear and tear; any improper installation, use, maintenance or storage; negligence of the owner or user; repair or modification after delivery; damage; failure to follow our instructions or recommendations; or anything else beyond our control. WE MAKE NO WARRANTIES, EXPRESS OR IMPLIED, OTHER THAN THOSE INCLUDED IN THIS WARRANTY STATEMENT, AND WE DISCLAIM ANY IMPLIED WARRANTY OF MERCHANTABILITY OR FITNESS FOR ANY PARTICULAR PURPOSE. Further, we will not be responsible for any consequential, incidental or indirect damages (including, but not limited to, any loss of profits) from any cause whatsoever. No person has authority to change this warranty.

© Premier Farnell Corporation. 2010 All rights reserved. No portion of this can be reproduced without the express written consent of Premier Farnell Corporation.

A Premier Farnell Company