

# SEVERE DUTY MINING PRODUCTS

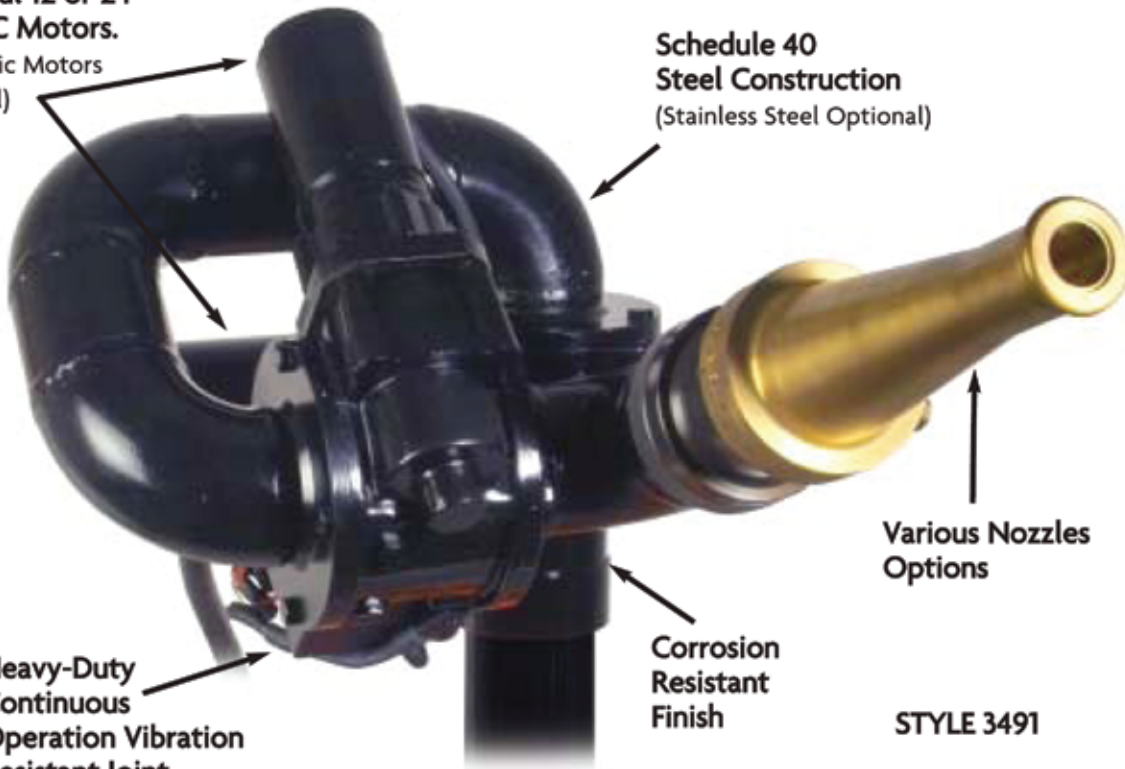
## Akron Brass Style # 3491 Severe-Duty Electric Monitor



The Akron Brass Severe-Duty Monitor is a multi-purpose monitor designed to withstand continuous operation while mounted on heavy-duty equipment or fixed site applications. Dusty, dirty and continuous vibration environments is what the Severe-Duty Monitor was built to survive.

**Powerful 12 or 24  
Volt DC Motors.**  
(Hydraulic Motors  
Optional)

**Schedule 40  
Steel Construction**  
(Stainless Steel Optional)



**Various Nozzles  
Options**

**Heavy-Duty  
Continuous  
Operation Vibration  
Resistant Joint**

**Corrosion  
Resistant  
Finish**

**STYLE 3491**

### FEATURES

- 2 1/2" Waterway
- Zinc dichromate plated & enamel painted, .203 thick steel waterway
- Wear resistant high density polyethylene bearings
- No ball bearings
- No greasing required
- Field repairable joints
- Environmentally sealed electric motors
- Smooth bore tip or electric fog/straight stream nozzle
- Heavy-duty shafts & gearing
- Electric or hydraulic motors
- Complete control packages
- Adjustable travel limits

### BENEFITS

- Flows up to 750 GPM
- Resists Corrosion
- Durable
- No casting wear
- Maintenance free
- Reduced down time
- Eliminates water penetration
- Stream performance options
- Superior load handling
- Power flexibility
- Versatile functional control
- Provides various travel ranges

**"Tested...Proven...Trusted In Australian Mining Conditions"**



**BRT Fire and Rescue Supplies**  
Phone (07) 3287 5504  
Fax (07) 3287 5505

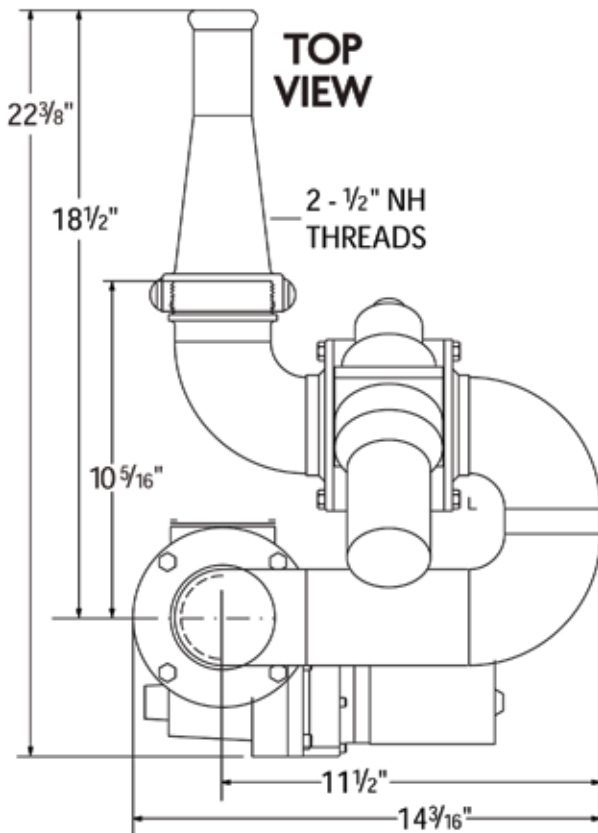
For further information contact  
Email: [asktheteam@bigredtruck.com.au](mailto:asktheteam@bigredtruck.com.au)  
Web: [www.bigredtruck.com.au](http://www.bigredtruck.com.au)



# SEVERE DUTY MINING PRODUCTS



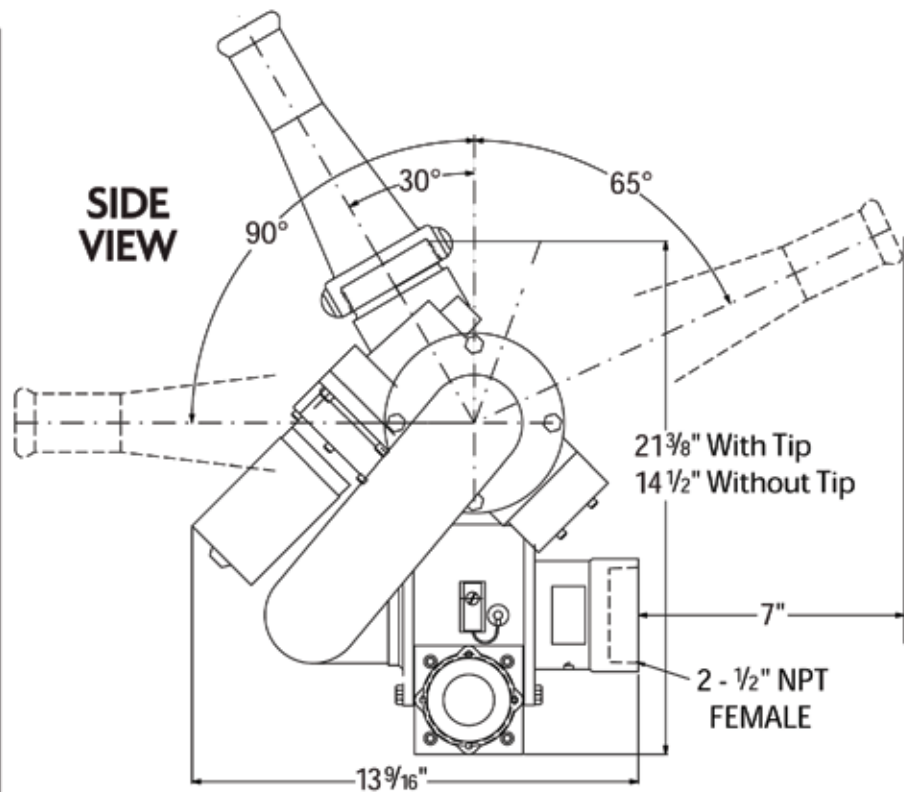
## Style # 3491 Severe-Duty Electric Monitor



### Applications:

- Construction dust control
- Equipment wash down
- Landfill dust suppression
- Recycling dust suppression
- Aggregate extraction
- Coal mining
- Arena dust control
- Concrete production
- Agriculture
- Paper production
- Limestone quarry
- Ship wash down
- Fire suppression

PERFORMANCE & SPECIFICATIONS
320° Rotation
155° Elevation (+90°, -65°)
Fast travel, 20°/ sec
Auto oscillation 90° or 45°
Pressures up to 200 psi
Up to 750 gpm
2 1/2" Waterway (63.5 mm)
2 1/2" NH outlet
2 1/2" NPT Inlet
12 or 24 Volt DC motors
Hydraulic Motor (Optional)
Joystick Monitor Control
Monitor Height 13 3/8" (331 mm)
Monitor Width 14 3/8" (360 mm)
Monitor Length 14 3/8" (360 mm)
Weight 57 lbs. (26 kg)
NOZZLES
Smooth Bore Tip Style 0489
Stream Shaper Style 3485
Electric Fog/Straight Stream Nozzle
Foam Nozzle Available



"Tested...Proven...Trusted In Australian Mining Conditions"

