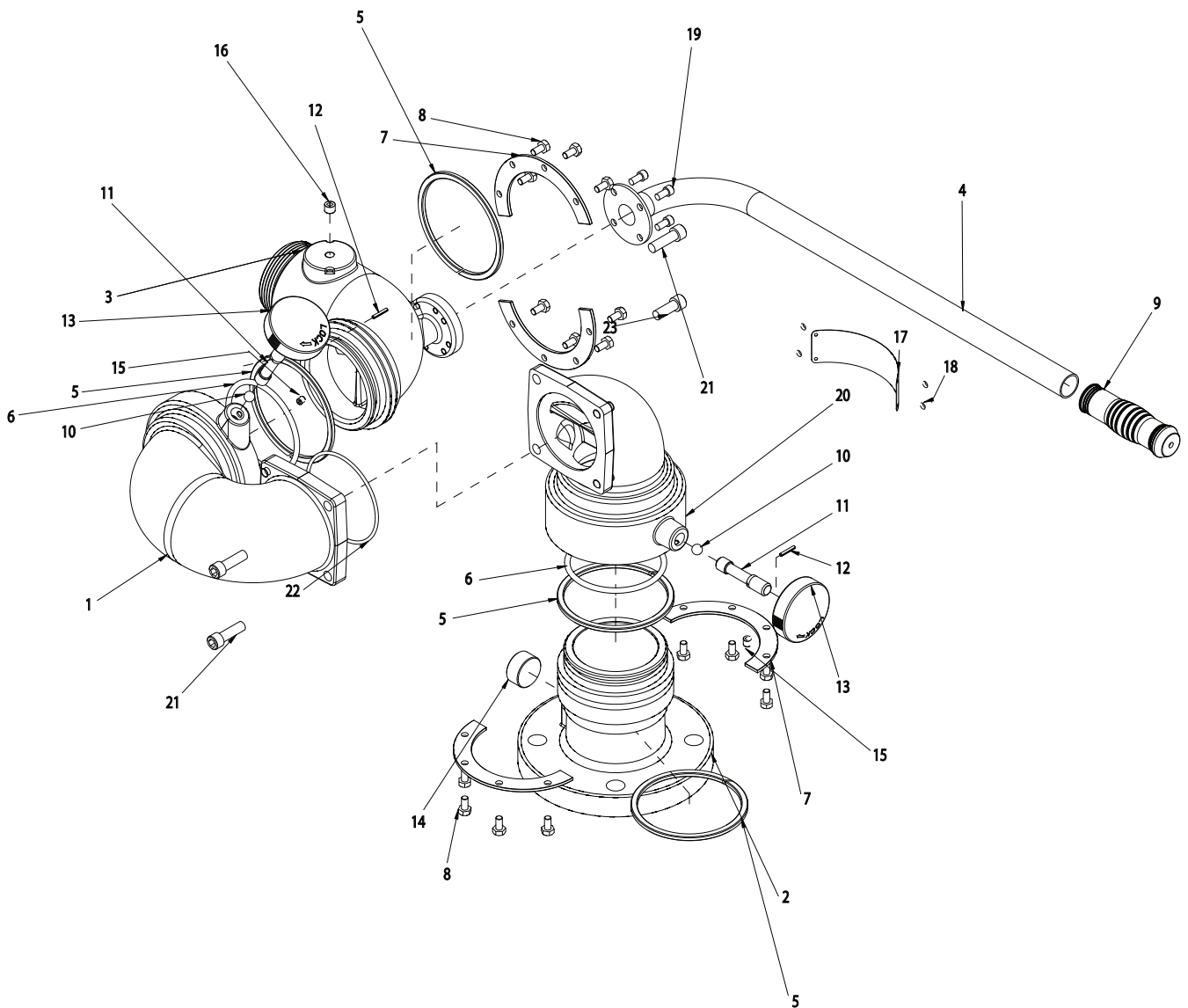


TECHNICAL SERVICE PARTS





**STYLE 3524
OMEGA SD™ MONITOR
TECHNICAL SERVICE PARTS LIST**

ITEM NO.	DESCRIPTION	PART NUMBER	QUANTITY
1	GOOSENECK	120577	1
2	FLANGE 3" INLET	120575	1
3	ELBOW OUTLET	120576	1
4	HANDLE 20"	721464	1
5	BEARING*	704943	4
6	O-RING*	757444	2
7	RING	756163	4
8	SCREW HEX HD CAP	761077	16
9	GRIP HANDLE FLEX GRIP	718071	1
10	BALL BRASS	704020	2
11	SHAFT BRAKE	770219	2
12	PIN ROLL	744066	2
13	HDL KNOB SZ	109189	2
14	PLUG PIPE	744018	1
15	SCREW SOC HD SET CUP	765002	2
16	PLUG PIPE	744009	1
17	TAG ID	773381	1
18	NAIL GRIP	736052	4
19	SCREW SOC HD CAP LOC	765020	4
20	ELBOW	120574	1
21	SCREW SOC HD CAP	763043	3
22	O-RING*	757221	2
23	SCREW SOC HD CAP	767139	1

* Parts included in 9524 service kit



ISO 9001 REGISTERED COMPANY

PHONE: 330.264.5678 or 800.228.1161 | FAX: 330.264.2944 or 800.531.7335 | www.akronbrass.com

REVISED 3/10

WARRANTY AND DISCLAIMER: We warrant Akron Brass products for a period of five (5) years after purchase against defects in materials or workmanship. Akron Brass will repair or replace product which fails to satisfy this warranty. Repair or replacement shall be at the discretion of Akron Brass. Products must be promptly returned to Akron Brass for warranty service.

We will not be responsible for: wear and tear; any improper installation, use, maintenance or storage; negligence of the owner or user; repair or modification after delivery; damage; failure to follow our instructions or recommendations; or anything else beyond our control. WE MAKE NO WARRANTIES, EXPRESS OR IMPLIED, OTHER THAN THOSE INCLUDED IN THIS WARRANTY STATEMENT, AND WE DISCLAIM ANY IMPLIED WARRANTY OF MERCHANTABILITY OR FITNESS FOR ANY PARTICULAR PURPOSE. Further, we will not be responsible for any consequential, incidental or indirect damages (including, but not limited to, any loss of profits) from any cause whatsoever. No person has authority to change this warranty.

© Premier Farnell Corporation. 2010 All rights reserved. No portion of this can be reproduced without the express written consent of Premier Farnell Corporation.

