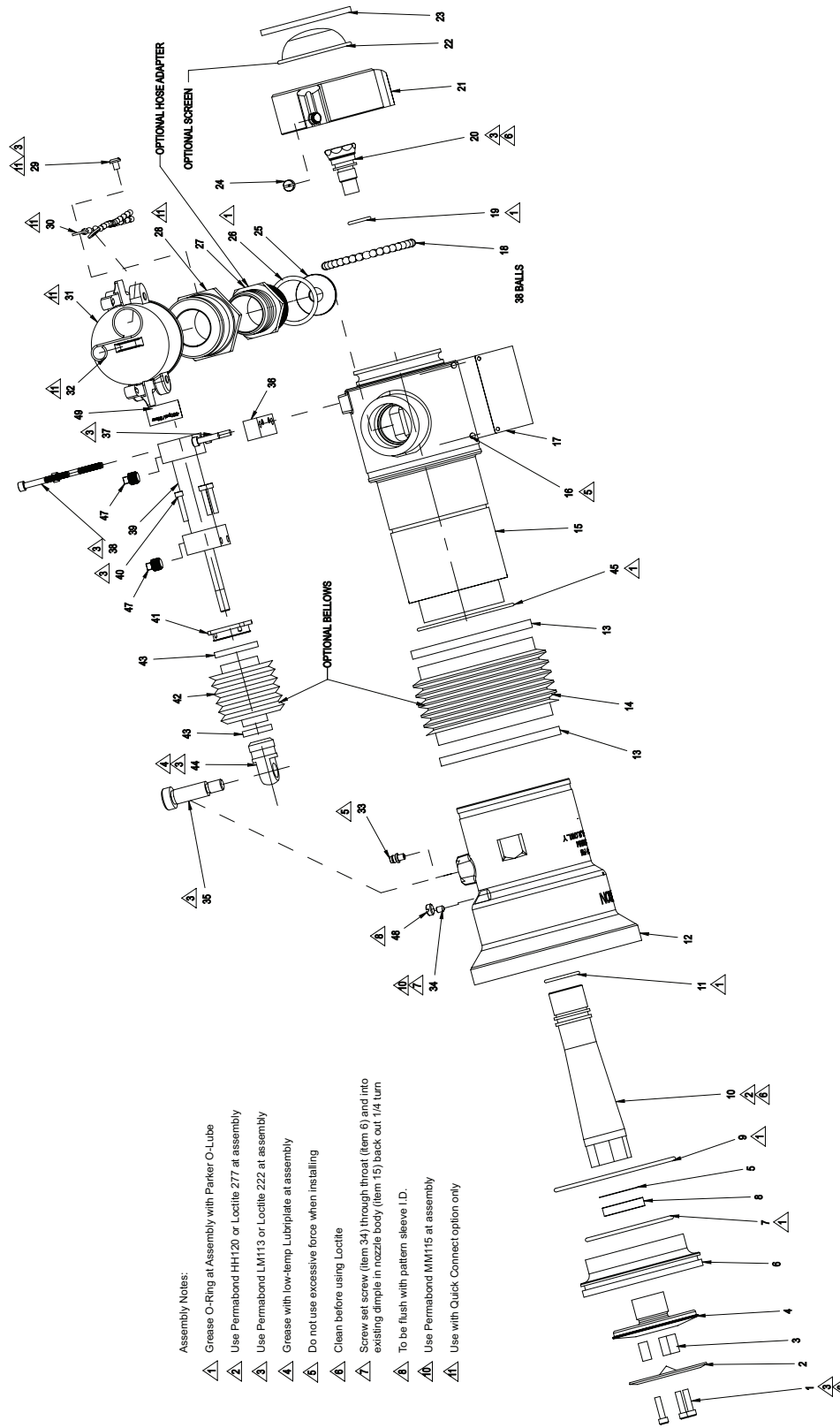


TECHNICAL SERVICE PARTS





**STYLE 4472
HYDRAULIC AKROFOAM
TECHNICAL SERVICE PARTS LIST**

| ITEM NO. | DESCRIPTION | PART NUMBER | QUANTITY |
|----------|-------------------------|-------------|----------|
| 1 | SCREW | 767041 | 3 |
| 2 | PLATE DEFLECTOR STAMPED | 745145 | 1 |
| 3 | SPACE DEFLECTOR | 770303 | 3 |
| 4 | BAFFLE HEAD | 119400 | 1 |
| 5 | SHIM | 768348 | 1 |
| 6 | THROAT SLEEVE | 119397 | 1 |
| 7 | O-RING | 757065 | 1 |
| 8 | SPACER | 119405 | 1 |
| 9 | O-RING | 757251 | 1 |
| 10 | STEM | 119401 | 1 |
| 11 | O-RING | 757092 | 1 |
| 12 | PATTERN SLEEVE | 120931 | 1 |
| 13* | WRAP TIE | 785028 | 2 |
| 14* | BELLOW | 704959 | 1 |
| 15 | NOZZLE BODY | 120930 | 1 |
| 16 | NAIL GRIP | 736054 | 4 |
| 17 | ID PLATE | 745185 | 1 |
| 18 | BRASS BALLS | 703017 | 39 |
| 19 | O-RING | 757002 | 1 |
| 20 | BLENDING TUBE | 772194 | 1 |
| 21 | SWIVEL | 101325 | 1 |
| 23 | GASKET | 717043 | 1 |
| 24 | SWIVEL PLUG | 742023 | 1 |
| 25 | ORFICE | 739028 | 1 |

| ITEM NO. | DESCRIPTION | PART NUMBER | QUANTITY |
|----------|---------------------------|-------------|----------|
| 26 | O-RING | 757227 | 1 |
| 28* | CAM CONNECTOR | 120682 | 1 |
| 29* | SCREW | 765104 | 1 |
| 30* | CHAIN | 706225 | 1 |
| 31* | CONNECTOR COVER | 707494 | 1 |
| 32* | HOOK CLIP | 707070 | 1 |
| 33 | FITTING | 713191 | 1 |
| 34 | SCREW | 767088 | 1 |
| 35 | SCREW | 767158 | 1 |
| 36 | ADPT HYDRAULIC CYLINDER | 702158 | 1 |
| 37 | SCREW | 767086 | 2 |
| 38 | SCREW | 763035 | 2 |
| 39 | CYLINDER HYDRAULIC | 707552 | 1 |
| 40* | SCREW | 765274 | 4 |
| 41* | ADPT BELLOWS | 702159 | 1 |
| 42* | BELLOWS ACTUATOR | 704960 | 1 |
| 43* | WRAP TY BLACK 8" | 785024 | 2 |
| 44 | EYELET | 710142 | 1 |
| 45 | O-RING | 757149 | 1 |
| 47 | PIPE PLUG | 744986 | 2 |
| 48 | PLUG | 744394 | 1 |
| 49 | LABEL | 729521 | 1 |
| 62 | FITTING | 713199 | 2 |
| 103* | KIT NEEDLE VLV W/FITTINGS | 44720003 | 1 |

* Optional



PHONE: 330.264.5678 or 800.228.1161 | FAX: 330.264.2944 or 800.531.7335 | www.akronbrass.com

REVISED: 4/11

WARRANTY AND DISCLAIMER: We warrant Akron Brass products for a period of five (5) years after purchase against defects in materials or workmanship. Akron Brass will repair or replace product which fails to satisfy this warranty. Repair or replacement shall be at the discretion of Akron Brass. Products must be promptly returned to Akron Brass for warranty service.

We will not be responsible for: wear and tear; any improper installation, use, maintenance or storage; negligence of the owner or user; repair or modification after delivery; damage; failure to follow our instructions or recommendations; or anything else beyond our control. WE MAKE NO WARRANTIES, EXPRESS OR IMPLIED, OTHER THAN THOSE INCLUDED IN THIS WARRANTY STATEMENT, AND WE DISCLAIM ANY IMPLIED WARRANTY OF MERCHANTABILITY OR FITNESS FOR ANY PARTICULAR PURPOSE. Further, we will not be responsible for any consequential, incidental or indirect damages (including, but not limited to, any loss of profits) from any cause whatsoever. No person has authority to change this warranty.

© Premier Farnell Corporation. 2000 All rights reserved. No portion of this can be reproduced without the express written consent of Premier Farnell Corporation.

A Premier Farnell Company