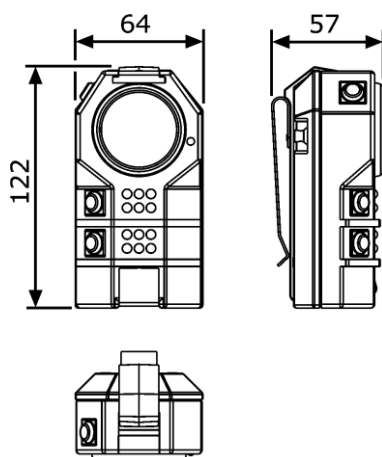


MICA ML-602 TECHNICAL DATA

Rev Feb 2010

MODEL	ML-602
Product description	Rechargeable hand lamp with red and green signal light
Power source	6V 1350 mAh NiMH min. 700 cycles
Light source	High-luminous 1W LED side-emitting P13,5S socket Lifetime 50000 hours Light output 40,5 lum Additionally: 6 pcs red high power LED's 6 pcs green high power LED's - also available halogen bulbs!
Light duration	1 W LED = 6hrs Red LED's = 21h Green LED's = 21h
Lens	Glass 41,5 x 3 mm
Beam type	Spot
Enclosure	High impact Nylon
Colour	Yellow, military green
Weight	275g (with battery)
Dimensions	55 x 64 x 122 mm
Ingress protection	IP 54
Operation temp.	-20°C...+45°C
EMC Certification	AUT/TES/1407/98 VTT Automation
Other features:	Stepless dimmer Spare bulb inside the lamp Deep discharge prevention Low battery warning Steel clip backside of the lamp Wrist strap
Charger	Single fast charger MICA MLC
Accessories	Diffuser lens Filters: red, green, amber

ML-602



For further information contact
Fax (07) 3287 5505

BRT Fire and Rescue Supplies Ph (07) 3287 5504
Email: asktheteam@bigredtruck.com.au